



BUILDING CODE COMPLIANCE OFFICE (BCCO)  
PRODUCT CONTROL DIVISION

MIAMI-DADE COUNTY, FLORIDA  
METRO-DADE FLAGLER BUILDING  
140 WEST FLAGLER STREET, SUITE 1603  
MIAMI, FLORIDA 33130-1563  
(305) 375-2901 FAX (305) 372-6339

**NOTICE OF ACCEPTANCE (NOA)**

[www.miamidade.gov/buildingcode](http://www.miamidade.gov/buildingcode)

West Tampa Glass Company  
2705 North 35<sup>th</sup> Street  
Tampa, FL 33605

**SCOPE:**

This NOA is being issued under the applicable rules and regulations governing the use of construction materials. The documentation submitted has been reviewed by Miami-Dade County Product Control Division and accepted by the Board of Rules and Appeals (BORA) to be used in Miami Dade County and other areas where allowed by the Authority Having Jurisdiction (AHJ).

This NOA shall not be valid after the expiration date stated below. The Miami-Dade County Product Control Division (In Miami Dade County) and/or the AHJ (in areas other than Miami Dade County) reserve the right to have this product or material tested for quality assurance purposes. If this product or material fails to perform in the accepted manner, the manufacturer will incur the expense of such testing and the AHJ may immediately revoke, modify, or suspend the use of such product or material within their jurisdiction. BORA reserves the right to revoke this acceptance, if it is determined by Miami-Dade County Product Control Division that this product or material fails to meet the requirements of the applicable building code. This product is approved as described herein, and has been designed to comply with the Florida Building Code, including the High Velocity Hurricane Zone.

**DESCRIPTION: Series "WTG-700" Aluminum Curtain Wall System – L.M.I.**

**APPROVAL DOCUMENT:** Drawing No. S-4088, titled "West Tampa Glass – Series WTG-700", sheets 1 through 18 of 18, dated 07/01/09, prepared by RW Building Consultant, signed and sealed by Ryan J. King, P.E., bearing the Miami-Dade County Product Control Approval stamp with the Notice of Acceptance number and approval date by the Miami-Dade County Product Control Division.

**MISSILE IMPACT RATING: Large Missile Impact Resistant**

**LABELING:** Each unit shall bear a permanent label with the manufacturer's name or logo, city, state and following statement: "Miami-Dade County Product Control Approved", unless otherwise noted herein.

**RENEWAL** of this NOA shall be considered after a renewal application has been filed and there has been no change in the applicable building code negatively affecting the performance of this product.

**TERMINATION** of this NOA will occur after the expiration date or if there has been a revision or change in the materials, use, and/or manufacture of the product or process. Misuse of this NOA as an endorsement of any product, for sales, advertising or any other purposes shall automatically terminate this NOA. Failure to comply with any section of this NOA shall be cause for termination and removal of NOA.

**ADVERTISEMENT:** The NOA number preceded by the words Miami-Dade County, Florida, and followed by the expiration date may be displayed in advertising literature. If any portion of the NOA is displayed, then it shall be done in its entirety.

**INSPECTION:** A copy of this entire NOA shall be provided to the user by the manufacturer or its distributors and shall be available for inspection at the job site at the request of the Building Official. This NOA consists of this page 1 and evidence pages E-1 and E-2, as well as approval document mentioned above.

The submitted documentation was reviewed by **Manuel Perez, P.E.**



NOA No. 09-1202.01  
Expiration Date: October 06, 2015  
Approval Date: October 06, 2010  
Page 1

West Tampa Glass Company

NOTICE OF ACCEPTANCE: EVIDENCE SUBMITTED

**A. DRAWINGS**

1. Manufacturer's die drawings and sections.
2. Drawing No **S-4088**, Sheets 1 through 18 of 18, titled "West Tampa Glass - Series WTG-700", dated 07/01/09, prepared by RW Building Consultants, Inc., signed and sealed by Ryan J. King, P.E.

**B. TESTS**

1. Test reports on:
  - 1) Air Infiltration Test, per FBC, TAS 202-94
  - 2) Uniform Static Air Pressure Test, Loading per FBC TAS 202-94
  - 3) Water Resistance Test, per FBC, TAS 202-94
  - 4) Small Missile Impact Test per FBC, TAS 201-94
  - 5) Large Missile Impact Test per FBC, TAS 201-94
  - 6) Cyclic Wind Pressure Loading per FBC, TAS 203-94along with marked-up drawings and installation diagram of WTG-500 and WTG-700 aluminum curtain wall systems, Series **WTG-500** specimens: #1, 2, 3, 4, 5, and 6 and Series **WTG-700** specimens: 1, 3, 6, 7, 9, 11, 15, 17, 19, 21, 23, 23A, 25, 27, 32, **2, 4, 5, 8, 10, 12, 16, 18, 22, 24A, 26, 28, 33 (specimens impacted in bold)**, prepared by Testing Evaluation Laboratories, Inc. Test Report No. **TEL-08-01490001**, dated 01/02/08, signed and sealed by Wendell W. Haney, P.E.
2. Test reports on:
  - 1) Air Infiltration Test, per FBC, TAS 202-94
  - 2) Uniform Static Air Pressure Test, Loading per FBC TAS 202-94
  - 3) Water Resistance Test, per FBC, TAS 202-94
  - 4) Small Missile Impact Test per FBC, TAS 201-94
  - 5) Large Missile Impact Test per FBC, TAS 201-94
  - 6) Cyclic Wind Pressure Loading per FBC, TAS 203-94along with marked-up drawings and installation diagram of WTG-500 and WTG-700 aluminum curtain wall systems, Series **WTG-500** specimens: #40 and 42 and Series **WTG-700** specimens: #36, 37, 39, **36a, 37a, 38, 39a, 41 and 43 (specimens impacted in bold)**, prepared by Testing Evaluation Laboratories, Inc. Test Report No. **TEL-01490139**, dated 08/26/09, signed and sealed by Lyndon F. Schmidt, P.E.
3. Test reports on:
  - 1) Air Infiltration Test, per FBC, TAS 202-94
  - 2) Uniform Static Air Pressure Test, Loading per FBC TAS 202-94
  - 3) Water Resistance Test, per FBC, TAS 202-94along with marked-up drawings and installation diagram of an WTG-700 twin span aluminum curtain wall system, Series **WTG-700** specimen **#30A**, prepared by Hurricane Test Laboratory, LLC, Test Report No. **HTL-0519-0802-08**, dated 08/26/08 to 09/03/09, signed and sealed by Vinu J. Abraham, P.E.

  
Manuel Perez, P.E.  
Product Control Examiner  
NOA No. 09-1202-01  
Expiration Date: October 06, 2015  
Approval Date: October 06, 2010

West Tampa Glass Company

NOTICE OF ACCEPTANCE: EVIDENCE SUBMITTED

**B. TESTS (CONTINUED)**

4. Test reports on: 1) Air Infiltration Test, per FBC, TAS 202-94  
2) Uniform Static Air Pressure Test, Loading per FBC TAS 202-94  
3) Water Resistance Test, per FBC, TAS 202-94  
4) Large Missile Impact Test per FBC, TAS 201-94  
5) Cyclic Wind Pressure Loading per FBC, TAS 203-94

along with marked-up drawings and installation diagram of a Series **WTG-700** twin span aluminum curtain wall system, , prepared by Hurricane Test Laboratory, LLC, Test Report No. **HTL-0519-1204-08**, specimen **#30B**, dated 12/19/08 to 02/05/09, signed and sealed by Vinu J. Abraham, P.E.

**C. CALCULATIONS**

1. Anchor verification calculations and structural analysis, complying with FBC-2007, prepared by RW Building Consultants, Inc., dated 08/01/09 and 05/16/10 , signed and sealed by Ryan J. King, P.E.  
**Complies with ASTM E1300-04**

**D. QUALITY ASSURANCE**

1. Miami Dade Building Code Compliance Office (BCCO).

**E. MATERIAL CERTIFICATIONS**

1. Notice of Acceptance No. **07-1116.04** issued to E.I. DuPont DeNemours & Co., Inc. for their "**DuPont Sentry Glass ® Plus**" dated 01/03/08, expiring on 01/14/12.  
2. Notice of Acceptance No. **08-0520.08** issued to Solutia Inc. for their "**Vanceva Composites Glass Interlayer**" dated 7/17/08, expiring on 12/11/13.

**F. STATEMENTS**

1. Statement letter of conformance and no financial interest, dated September 7, 2010, signed and sealed by Ryan J. King, P.E.  
2. Laboratory compliance letter for Test Report N o. **HTL-0519-0802-08**, issued by Hurricane Test Laboratory, Inc., dated April 28, 2009, signed and sealed by Vinu J. Abraham, P.E.  
3. Laboratory compliance letter for Test Report N o. **HTL-0519-1204-08, specimen 30B**, issued by Hurricane Test Laboratory, Inc., dated April 28, 2009, signed and sealed by Vinu J. Abraham, P.E.

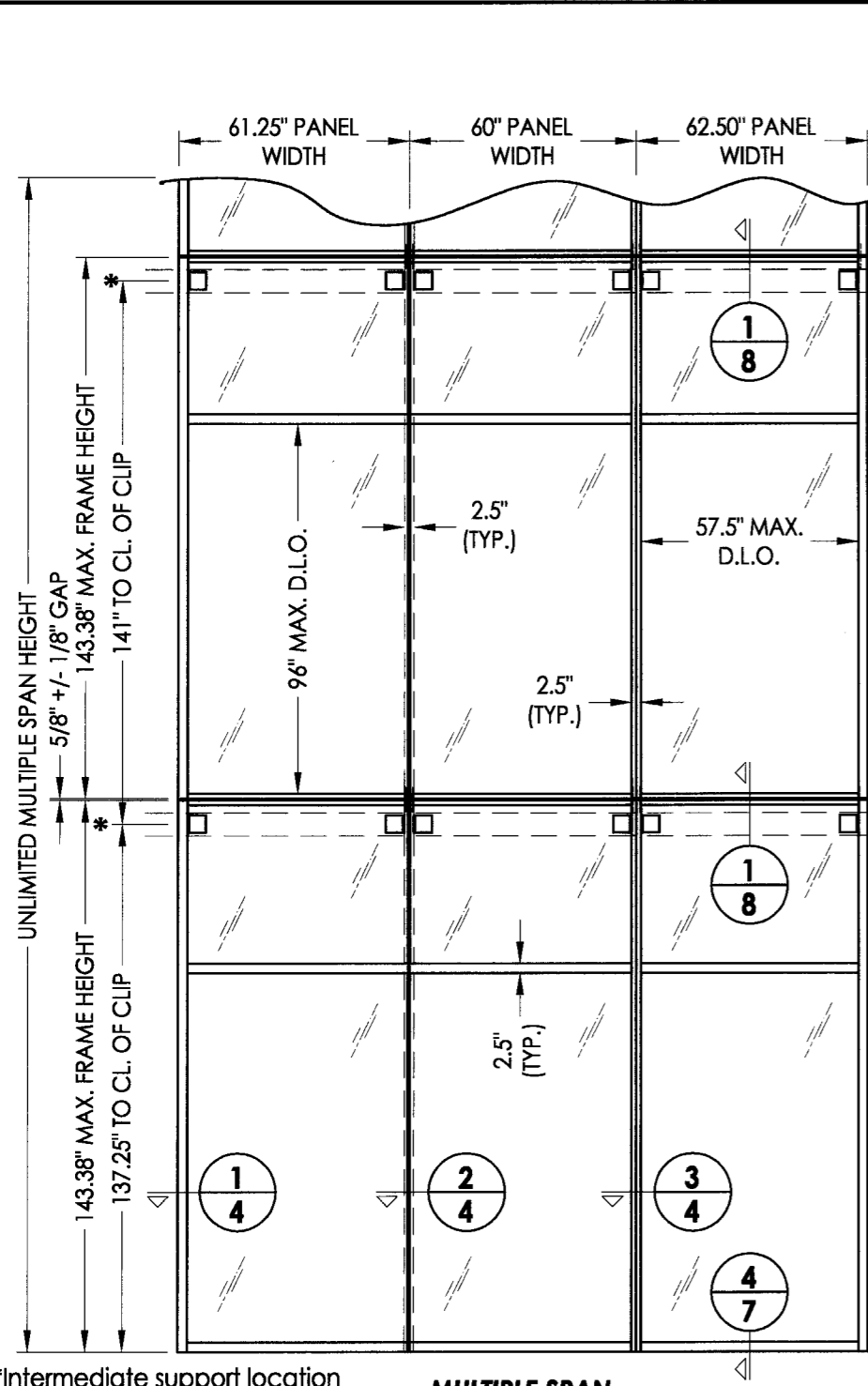
**G. OTHERS**

1. None.

  
Manuel Perez, P.E.  
Product Control Examiner  
NOA No. 09-1202.01

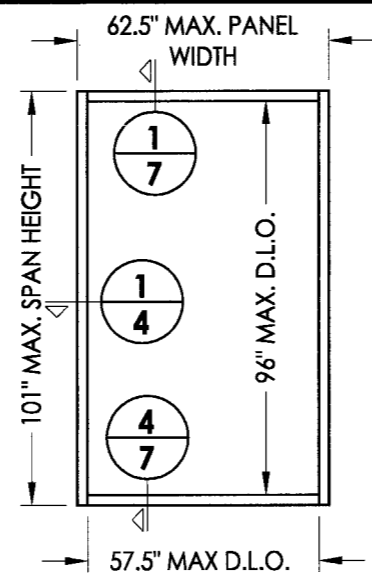
Expiration Date: October 06, 2015  
Approval Date: October 06, 2010

R:\A - Projects\Project Folders\proj 1401-1500\PE 1478\D. RWBC Drawings\WTG-700\S-4088\S-4088.dwg, S-4088

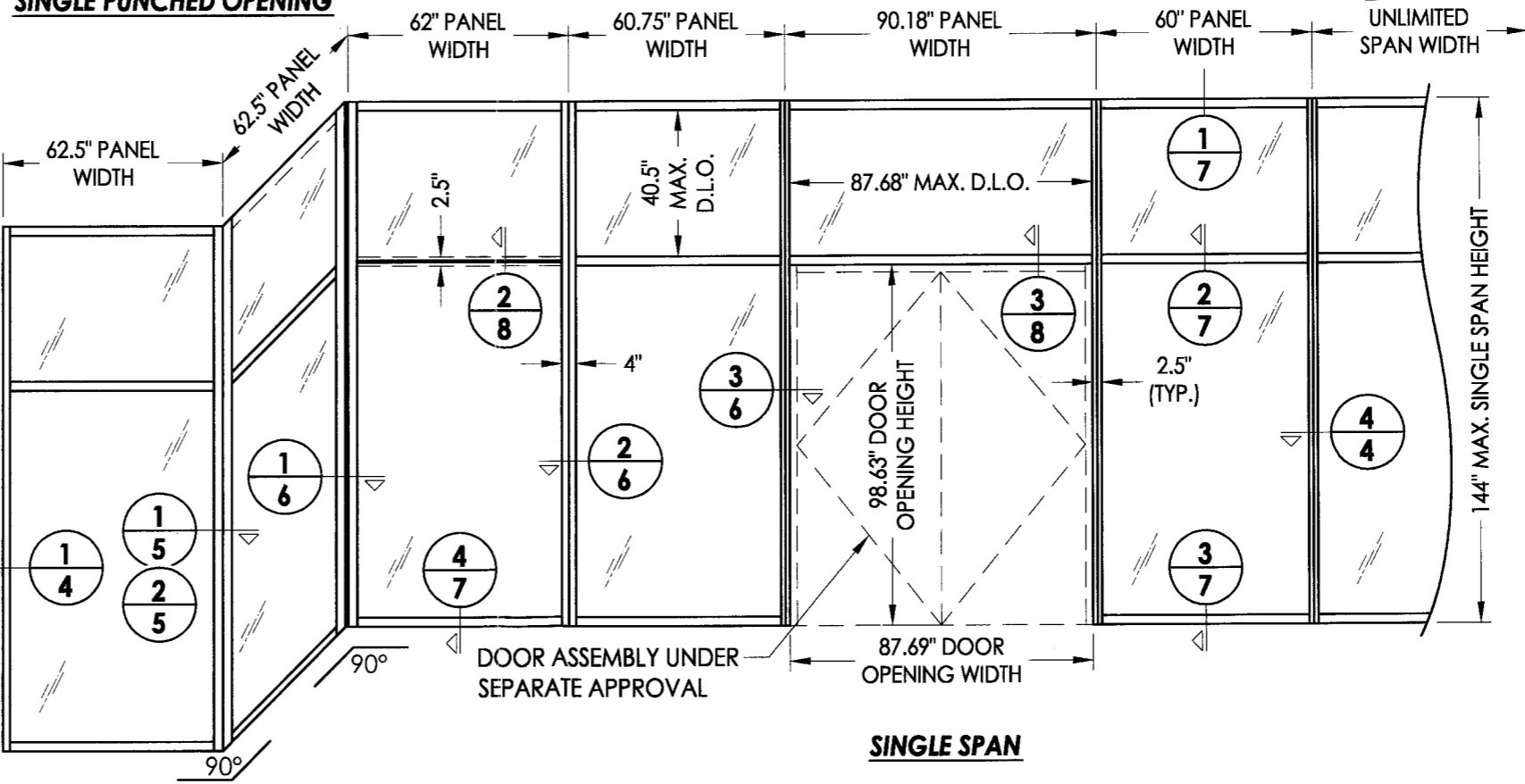


\*Intermediate support location

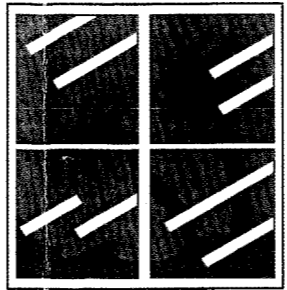
**MULTIPLE SPAN**



**SINGLE PUNCHED OPENING**



**SINGLE SPAN**



**WEST TAMPA GLASS COMPANY**  
SINCE 1934

2705 N. 35th STREET  
TAMPA, FLORIDA 33605

**SERIES WTG - 700  
ALUMINUM CURTAIN WALL SYSTEM  
"LARGE MISSILE IMPACT"**

Approved as complying with the Florida Building Code  
Date: **05-12-2010**  
NOA# **09-1202-01**  
Miami Dade Product Control  
By: *Amuel Espinoza*

Documents Prepared By:  
**RW** BUILDING CONSULTANTS, INC.  
P.O. Box 230 Valrico FL 33595  
Phone No.: 813.659.9197  
Florida Board of Professional Engineers  
Certificate of Authorization No. 9813  
*Ryan J. King, P.E.*  
No. 64619

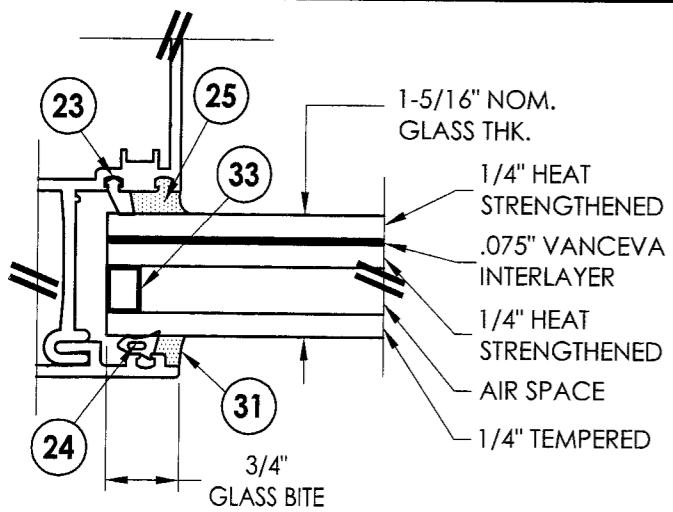
SPAN TYPE	MAX. D.L.O. DIMENSION	MAX. TRANSOM D.L.O. DIMENSION	GLASS TYPE	DESIGN PRESSURE (PSF)**	
				POSITIVE	NEGATIVE
MULTIPLE SPAN	57.50" x 96.00"	N/A	G1, G2, G7, G8, G18, G19	+90.0	-90.0
SINGLE SPAN	57.50" x 96.00"	87.68" x 40.87"	G1, G2, G7, G8, G19 (WET-GLAZED)	+90.0	-90.0
SINGLE PUNCHED OPENING	57.50" x 96.00"	N/A	G1, G2, G7, G8, G19 (WET-GLAZED)	+110.0	-110.0

\*\*See sheet 4 for jamb/mullion reinforcement options and design pressure/span height limitations

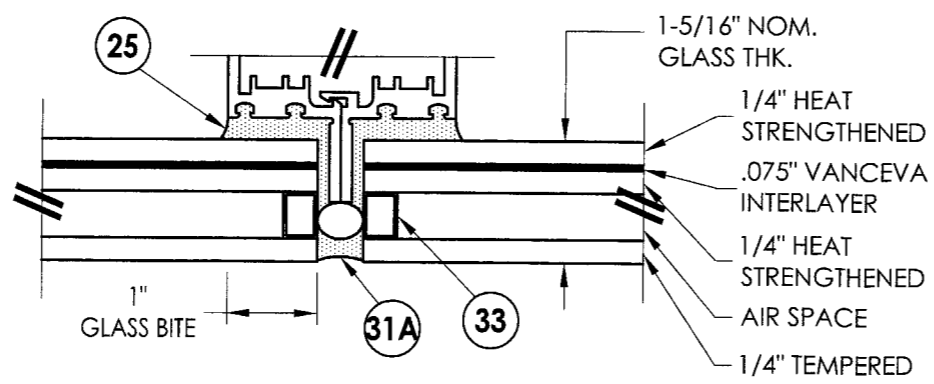
TABLE OF CONTENTS			
SHEET #	DESCRIPTION	SHEET #	DESCRIPTION
1	Typical elevation & design pressures	10	Twin span details
2	General notes & glazing details	11	Anchoring
3	Glazing details	12	Anchoring
4	Horizontal cross sections	13	Face cover option details
5	Horizontal cross sections	14	Face cover option details
6	Horizontal cross sections	15	Components
7	Vertical cross sections	16	Components
8	Vertical cross sections	17	Components
9	Twin span details	18	Bill of materials

PRODUCT:	WEST TAMPA GLASS SERIES WTG-700
PART OR ASSEMBLY:	TYPICAL ELEVATION & DESIGN PRESSURES
REVISED PER DATE COMMENTS	LFS
REVISIONS	JK
NO. DATE	BY
DATE:	7/1/09
SCALE:	N.T.S.
DWG. BY:	AL
CHK. BY:	LFS
DRAWING NO.:	S-4088
SHEET	1 of 18

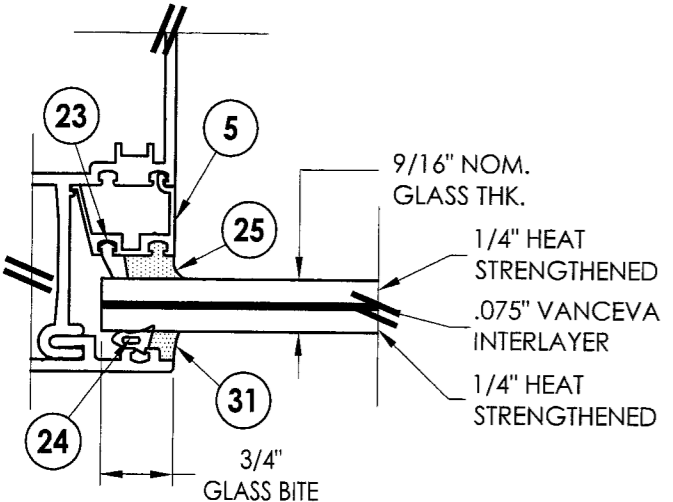
R:\A - Projects\Project Folders\proj\_1401-1500\PF\_1478\DWG Drawings\WTC-700\S-4088\S-4088.dwg, 2



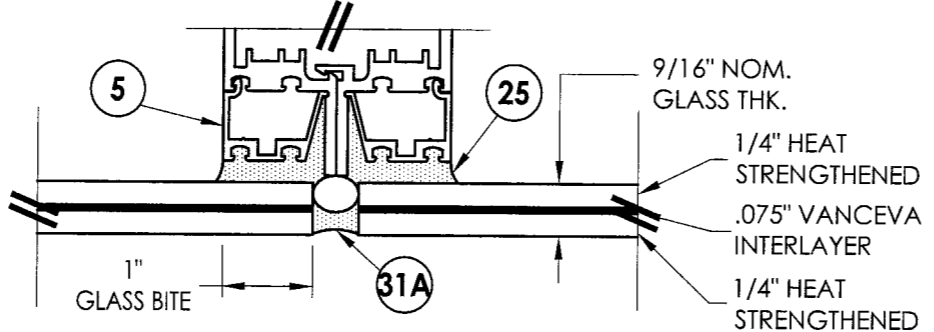
**G1 GLAZING DETAIL**  
Wet-glazed



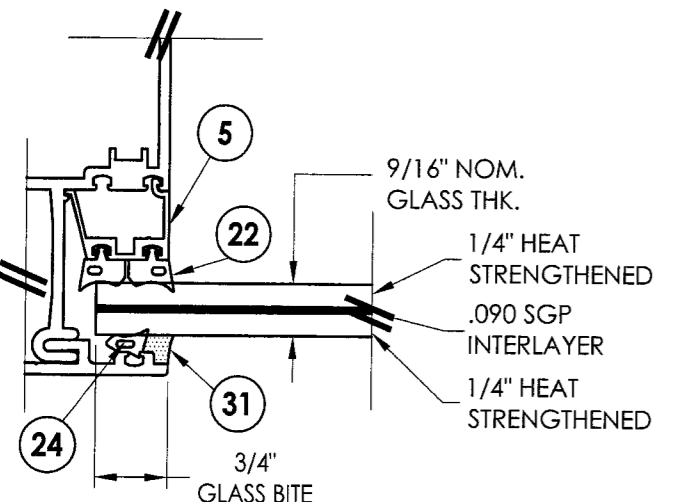
**G1 GLAZING DETAIL**  
Butt-glazed



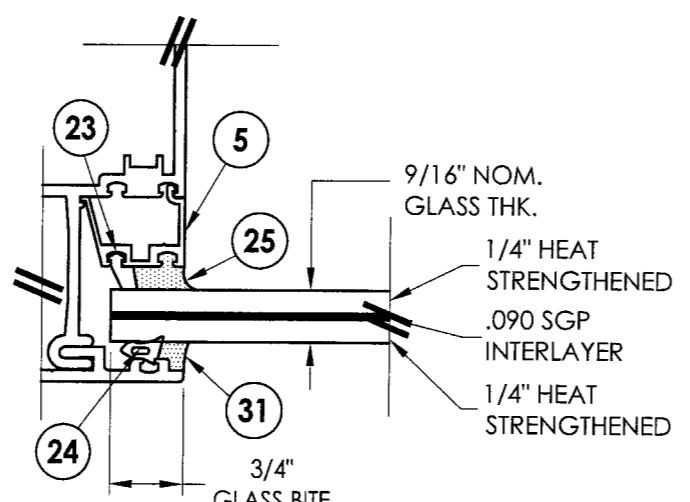
**G2 GLAZING DETAIL**  
Wet-glazed



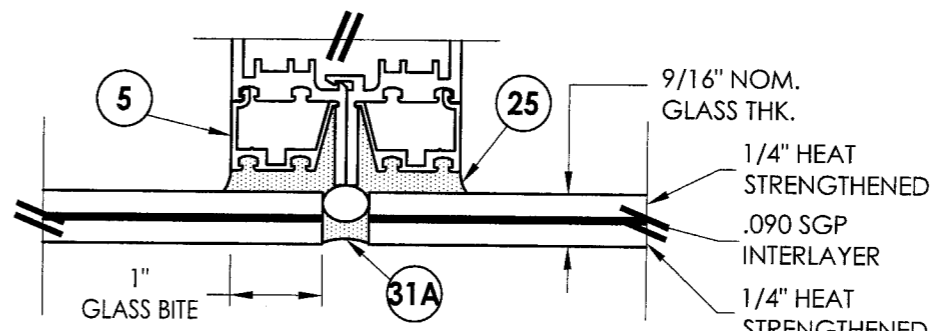
**G2 GLAZING DETAIL**  
Butt-glazed



**G7 GLAZING DETAIL**  
Dry-glazed



**G7 GLAZING DETAIL**  
Wet-glazed



**G7 GLAZING DETAIL**  
Butt-glazed

- NOTES:
1. Head, sill & horizontal glazing details are similar to jamb details shown.
  2. See sheets 13 & 14 for face cover option details.

**GENERAL NOTES**

1. This product has been evaluated and is in compliance with the 2007 Florida Building Code (FBC) structural requirements including the "High Velocity Hurricane Zone" (HVHZ).
2. Product anchors shall be as listed and spaced as shown on details.
3. When used in the "HVHZ" this product complies with section 1626 of the Florida Building Code and does not require an impact resistant covering.
4. When used in areas outside of the "HVHZ" requiring wind borne debris protection this product complies with Section 1609.1.2 of the 2007 FBC and does not require an impact resistant covering. This product meets missile level "D" and includes Wind Zone 4 as defined in ASTM E1996.
5. Site conditions that deviate from the details of this drawing require further engineering analysis by a licensed engineer or registered architect.
6. This product meets water infiltration requirements for "HVHZ". (Tested per ASTM E331 @ 20.0 PSF positive pressure).
7. For design pressure rating see chart sheet 1.
8. All steel in contact with aluminum to be painted or plated.
9. Elevation shown is for illustration only. Window wall may be constructed with an unlimited width and in any combination of units/glazing shown provided the limits for max. panel height, width and D.L.O. are maintained.

Approved as complying with the Florida Building Code  
 Date: **09-12-07**  
 NO. **09-1207-01**  
 Annual Code Product Control  
 By: *Manuel Pro*

Documents Prepared By: **R.W. BUILDING CONSULTANTS, INC.**  
 P.O. Box 230 Valrico FL 33595  
 Phone No.: 813.659.9197  
 Florida Board of Professional Engineers  
 Certificate Of Authorization No. 9813  
*Ryan J. King, P.E. No. 64619*

PRODUCT: **WEST TAMPA GLASS SERIES WTC-700**

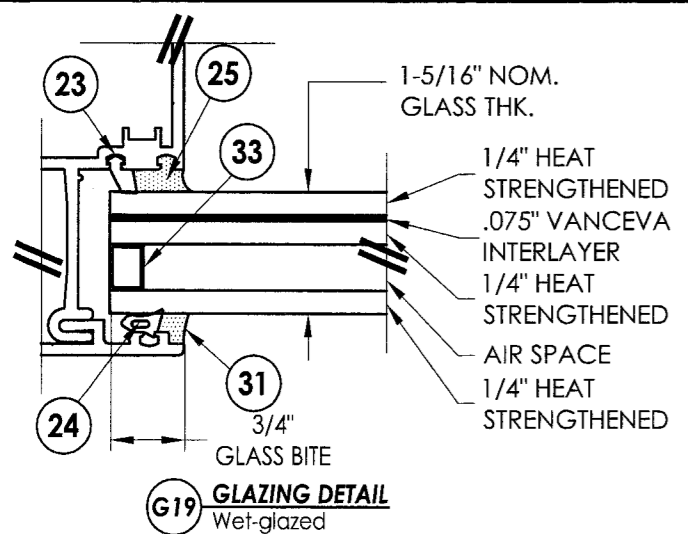
PART OR ASSEMBLY: **GENERAL NOTES & GLAZING DETAILS**

NO.	DATE	REVISIONS
2	7/20/10	REVISED PER DADE COMMENTS
1	5/03/10	REVISED PER DADE COMMENTS
		NO. DATE

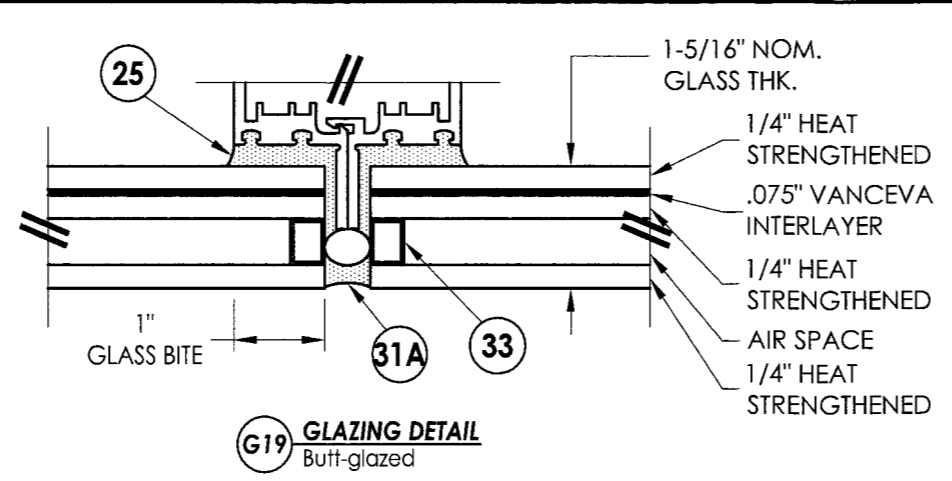
DATE: **7/1/09**  
 SCALE: **N.T.S.**  
 DWG. BY: **AL**  
 CHK. BY: **LFS**  
 DRAWING NO.: **S-4088**  
 SHEET **2** OF **18**

© 2009 R.W. BUILDING CONSULTANTS INC.

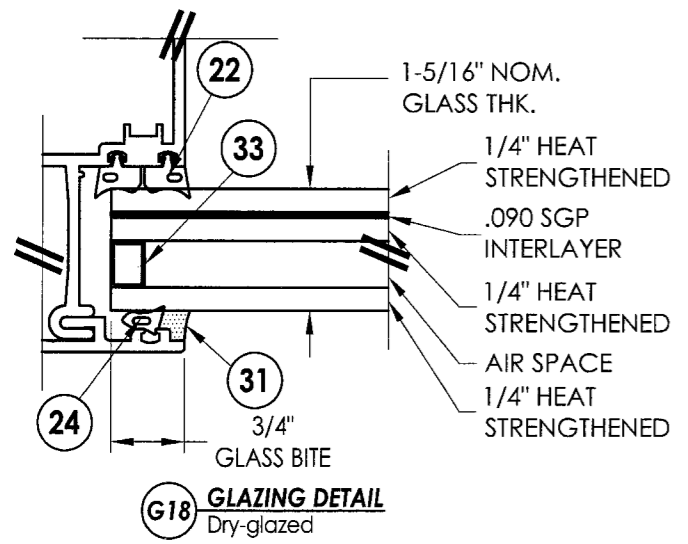
R:\A - Projects\Project Folders\proj 1401-1500\PF 1478.D - RWBC Drawings\WTG-700(S-4088)S-4088.dwg, 3



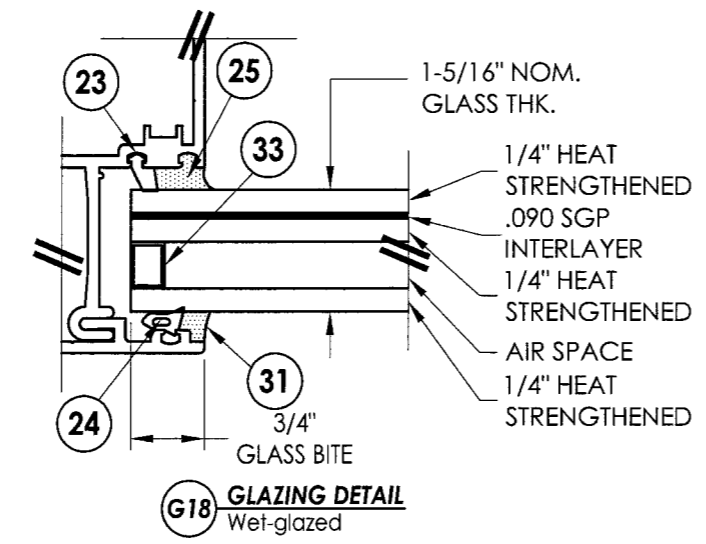
Large Missile Impact-Resistant Glazed Assembly Only  
(for installation up to 30 ft. above ground maximum)



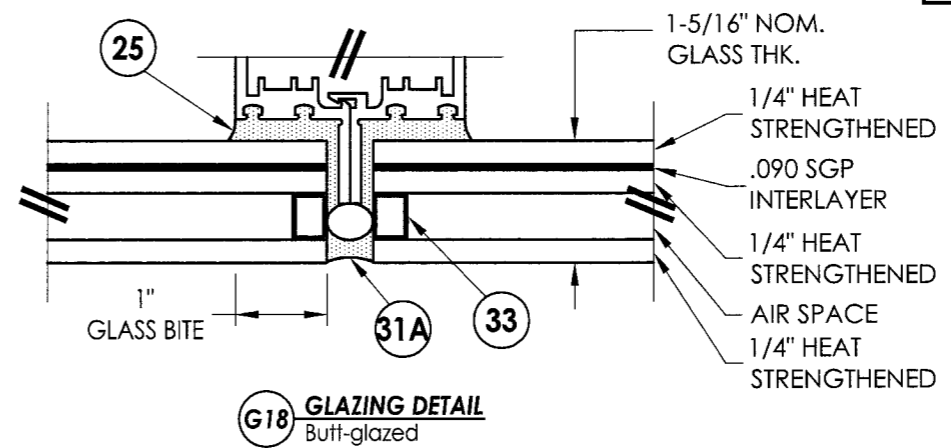
Large Missile Impact-Resistant Glazed Assembly Only  
(for installation up to 30 ft. above ground maximum)



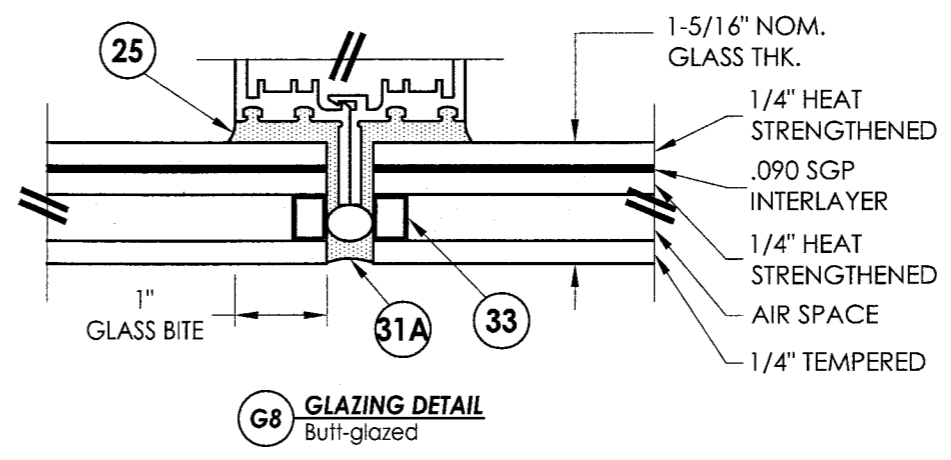
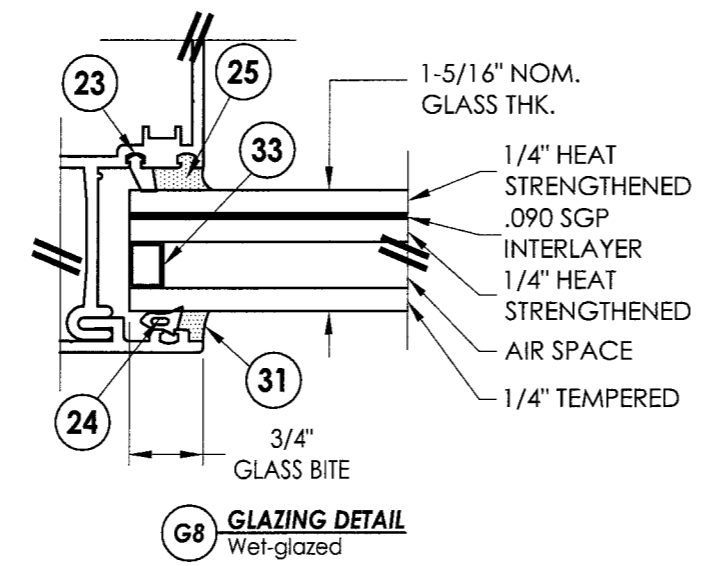
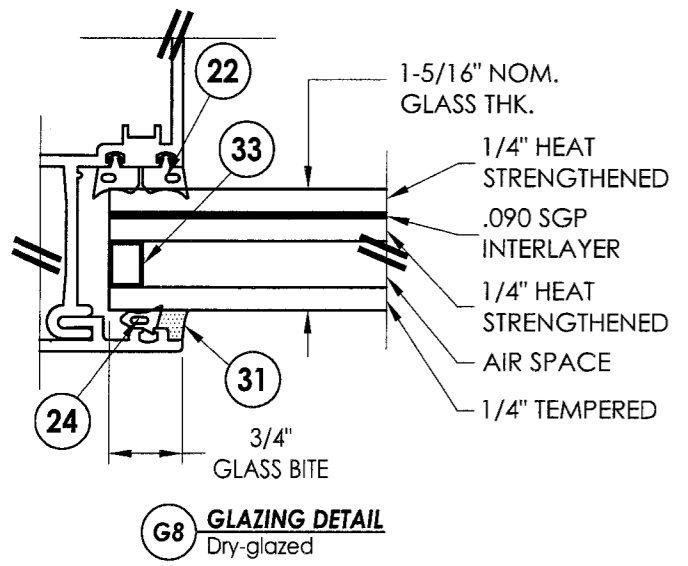
Large Missile Impact-Resistant Glazed Assembly Only  
(for installation up to 30 ft. above ground maximum)



Large Missile Impact-Resistant Glazed Assembly Only  
(for installation up to 30 ft. above ground maximum)



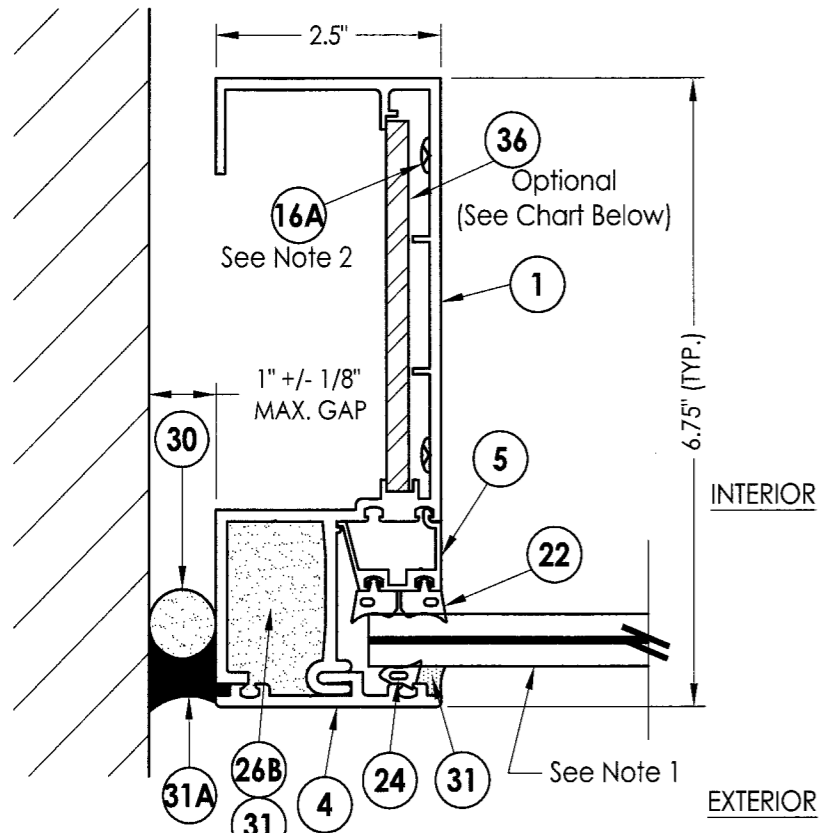
Large Missile Impact-Resistant Glazed Assembly Only  
(for installation up to 30 ft. above ground maximum)



NOTES:  
1. Head, sill & horizontal glazing details are similar to jamb details shown.  
2. See sheets 13 & 14 for face cover option details.

Approved as complying with the Florida Building Code  
Date: OCT 9 2010  
NO. 04-12022.01  
Miami Code Prohibit Control  
By: Manuel J. King  
Ryan J. King, P.E. No. 64619

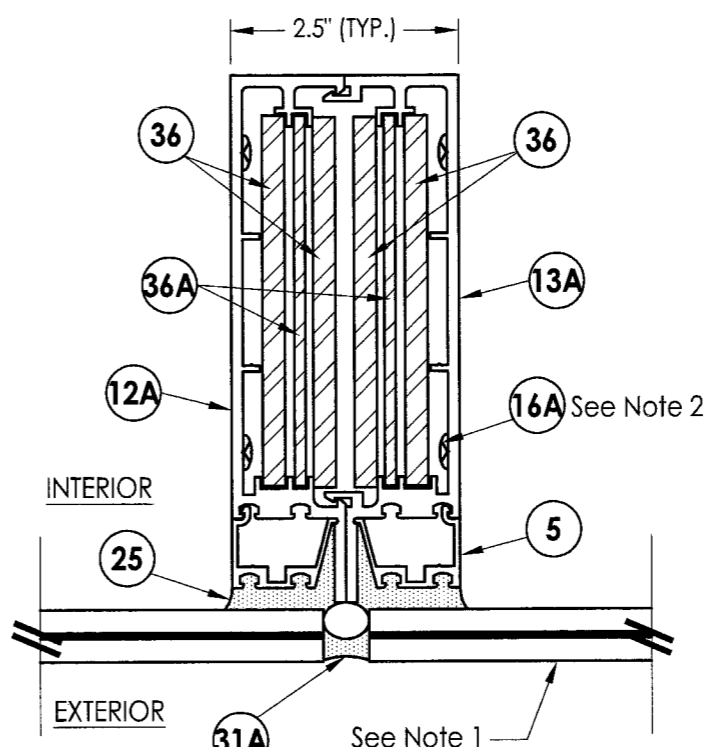
Documents Prepared By:		BUILDING CONSULTANTS, INC. P.O. Box 230 Vairico FL. 33595 Phone No.: 813.659.9197	
PRODUCT:		WEST TAMPA GLASS SERIES WTG-700	
PART OR ASSEMBLY:		GLAZING DETAILS	
NO.	DATE	REVISIONS	BY
2	7/20/10	REVISED PER DADE COMMENTS	LFS
1	5/03/10	REVISED PER DADE COMMENTS	JK
DATE:		7/1/09	
SCALE:		N.T.S.	
DWG. BY:		AL	
CHK. BY:		LFS	
DRAWING NO.:		S-4088	
SHEET		3 of 18	



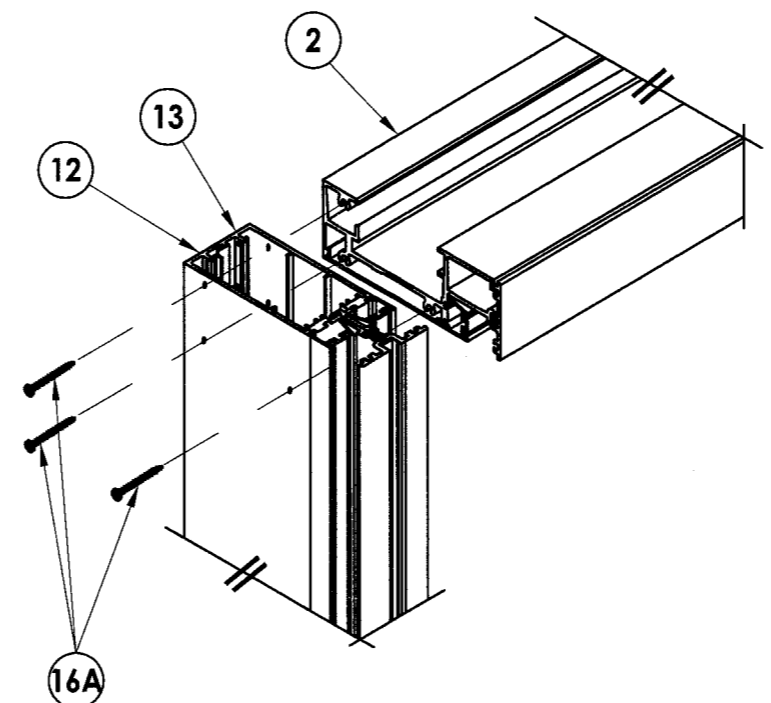
**1 HORIZONTAL CROSS SECTION**  
**4** Jamb Detail  
 Dry Glazed Option  
 Total Ix (Aluminum) = 15.189 in.<sup>4</sup>

Material Properties Chart			
MATERIAL	ITEM	Sx (in <sup>3</sup> )	Ix (in <sup>4</sup> )
Aluminum	1	3.108	10.362
	12	1.642	5.745
	12A	1.561	4.646
	13	1.560	5.413
	13A	1.464	4.329
Steel	14	2.450	8.000
	36	0.667	1.333
	36A	0.333	0.667
	36B	1.021	1.786

- NOTES:
- See sheets 2 & 3 for glazing option details and sheets 13 & 14 for face cover option details.
  - Attach the head and sill to the jambs/mullions w/ (3) item 16A at each end. Attach the intermediate/twin span rails to the jambs/mullions w/ (4) item 16A at each end. See the corner connection detail on this sheet.

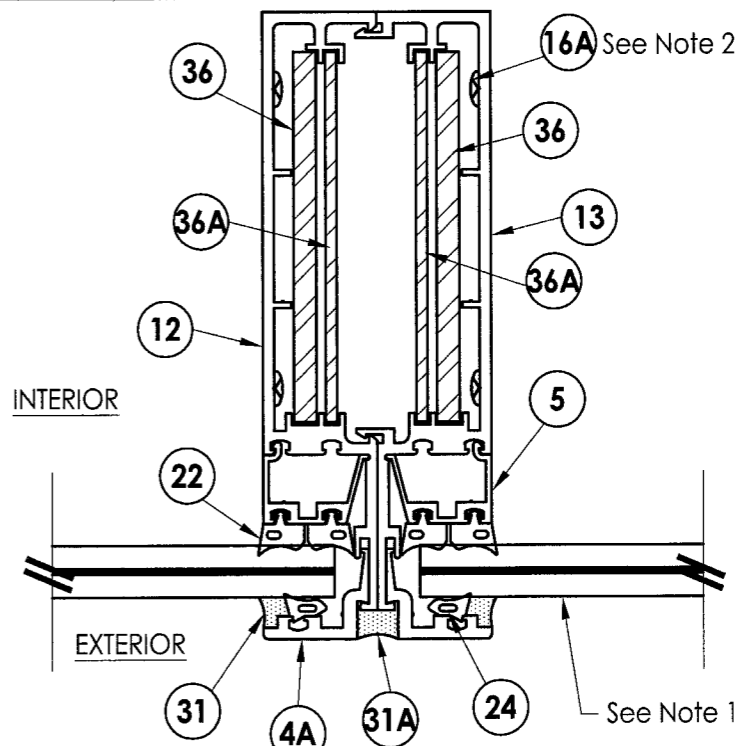


**2 HORIZONTAL CROSS SECTION**  
**4** Intermediate Vertical Mullion Detail  
 w/ Heavy Reinforcement - Structural Glazed Option  
 Total Ix (Aluminum) = 31.183 in.<sup>4</sup> (Dry Glazed)  
 Total Ix (Aluminum) = 28.482 in.<sup>4</sup> (Str. Glazed)



3 required (Head & Sill)  
 4 required  
 (Intermediate/Twin Span rail)

**CORNER CONNECTION DETAIL**  
 Mullion to head connection shown  
 Jamb/Mullion connection to head,  
 sill and Intermediate/Twin Span rail is similar.



**3 HORIZONTAL CROSS SECTION**  
**4** Intermediate Vertical Mullion Detail  
 w/ Light Reinforcement - Dry Glazed Option  
 Total Ix (Aluminum) = 23.384 in.<sup>4</sup> (Dry Glazed)  
 Total Ix (Aluminum) = 20.733 in.<sup>4</sup> (Str. Glazed)

Design Pressure Ratings / Maximum Frame Heights					
SPAN TYPE	REINFORCEMENT REQUIRED		MAX. FRAME HEIGHT	DESIGN PRESSURE (PSF)	
	JAMBS	MULLIONS		POSITIVE	NEGATIVE
Single Punched Opening	NONE	N/A	101"	+ 110	- 110
Single Span	NONE	LIGHT	132"	+ 90	- 90
	LIGHT	HEAVY	144"	+ 90	- 90
Multiple Span	NONE	LIGHT	132"	+ 90	- 90
	LIGHT	HEAVY	143.38"	+ 74	- 74

NOTE: Maximum frame heights in the table correspond to the max. frame widths shown on the elevation, sheet 1.

Approved as complying with the Florida Building Code  
 Date: 08/19/2010  
 NDA# 09-1702-01  
 Michael Deane Product Control  
 By: Manuel Perez

Documents Prepared By: **RW BUILDING CONSULTANTS, INC.**  
 P.O. Box 230 Vairico FL 33595  
 Phone No.: 813.659.9197

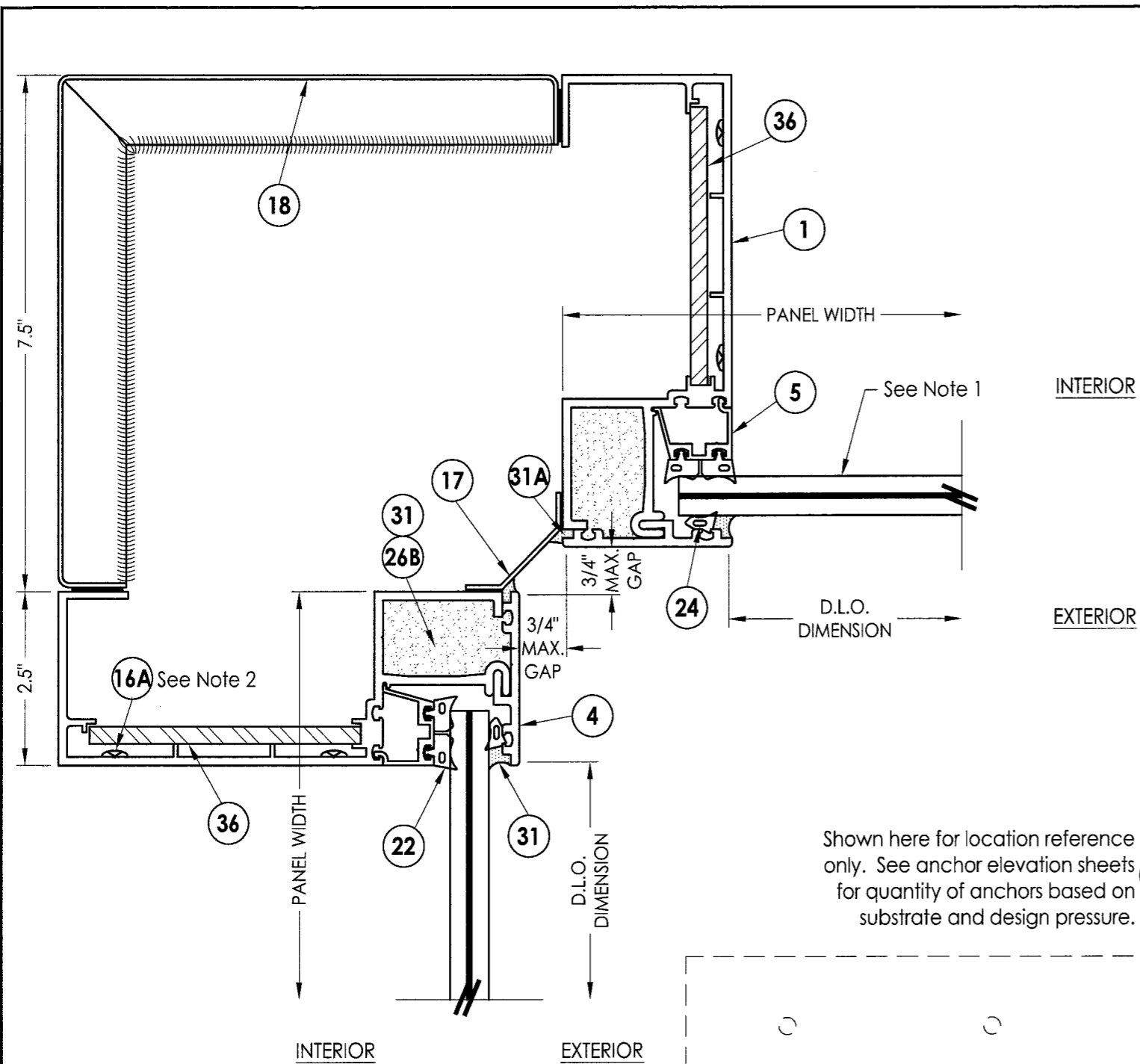
Florida Board of Professional Engineers  
 Certificate of Authorization No. 9813  
 Ryan J. King, P.E. No. 64619

PRODUCT: WEST TAMPA GLASS SERIES WTG-700  
 PART OR ASSEMBLY: HORIZONTAL CROSS SECTIONS

NO.	DATE	REVISIONS
2	7/20/10	REVISED PER DADE COMMENTS
1	5/03/10	REVISED PER DADE COMMENTS

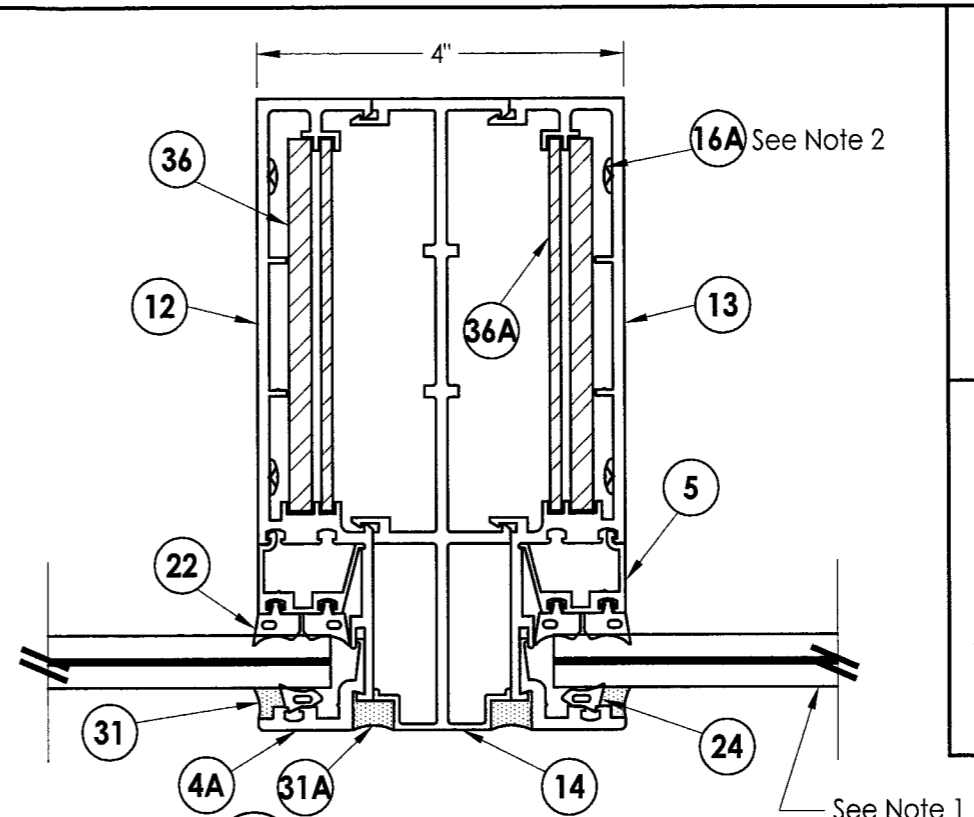
DATE: 7/1/09  
 SCALE: N.T.S.  
 DWG. BY: AL  
 CHK. BY: LFS  
 DRAWING NO.: S-4088  
 SHEET 4 OF 18





**1 HORIZONTAL CROSS SECTION**  
**6** Interior 90 deg. Corner Mullion Detail w/ Trim  
 Dry Glazed Option

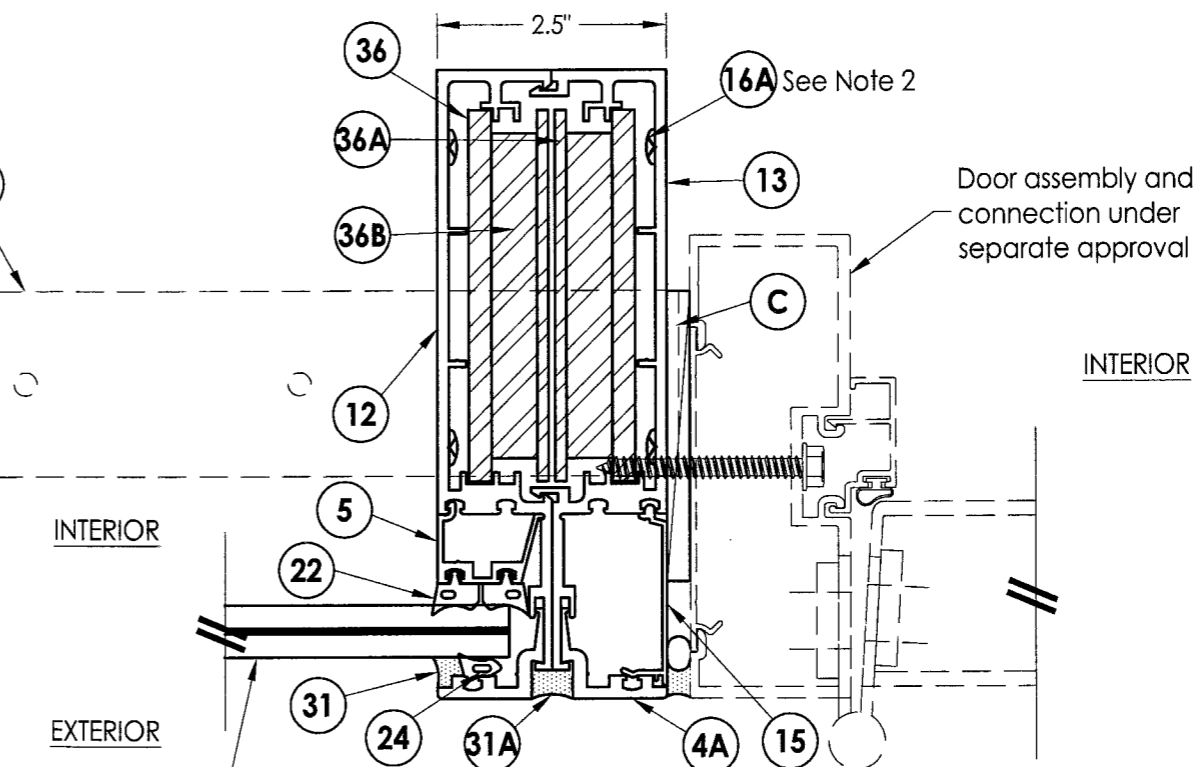
- NOTES:
- See sheets 2 & 3 for glazing option details and sheets 13 & 14 for face cover option details.
  - Attach the head and sill to the jambs/mullions w/ (3) item 16A at each end. Attach the intermediate rails to the jambs/mullions w/ (4) item 16A at each end. See the corner connection detail on sheet 4.



**2 HORIZONTAL CROSS SECTION**  
**6** Intermediate Vertical Mullion Detail  
 Dry Glazed Option

Total Ix (Aluminum) = 31.633 in.<sup>4</sup> (Dry Glazed)

Shown here for location reference only. See anchor elevation sheets for quantity of anchors based on substrate and design pressure.

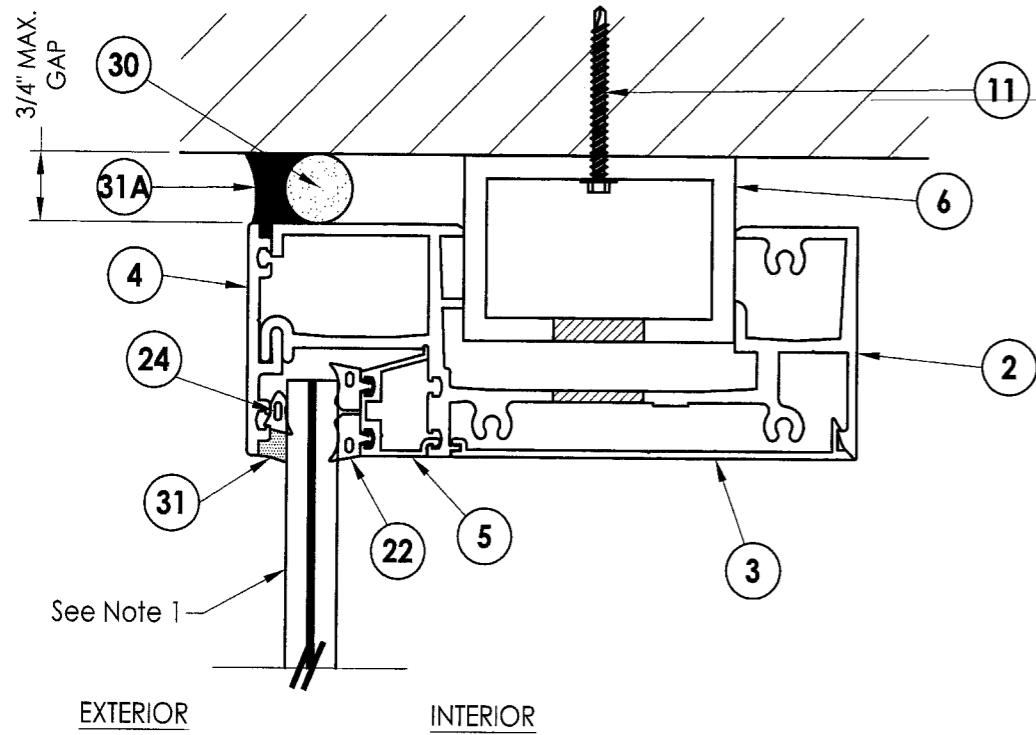


**3 HORIZONTAL CROSS SECTION**  
**6** Intermediate Vertical Door Jamb/Mullion Detail w/  
 Extra Heavy Reinforcement w/ Trim - Dry Glazed Option

Total Ix (Aluminum) = 33.853 in.<sup>4</sup> (Dry Glazed)

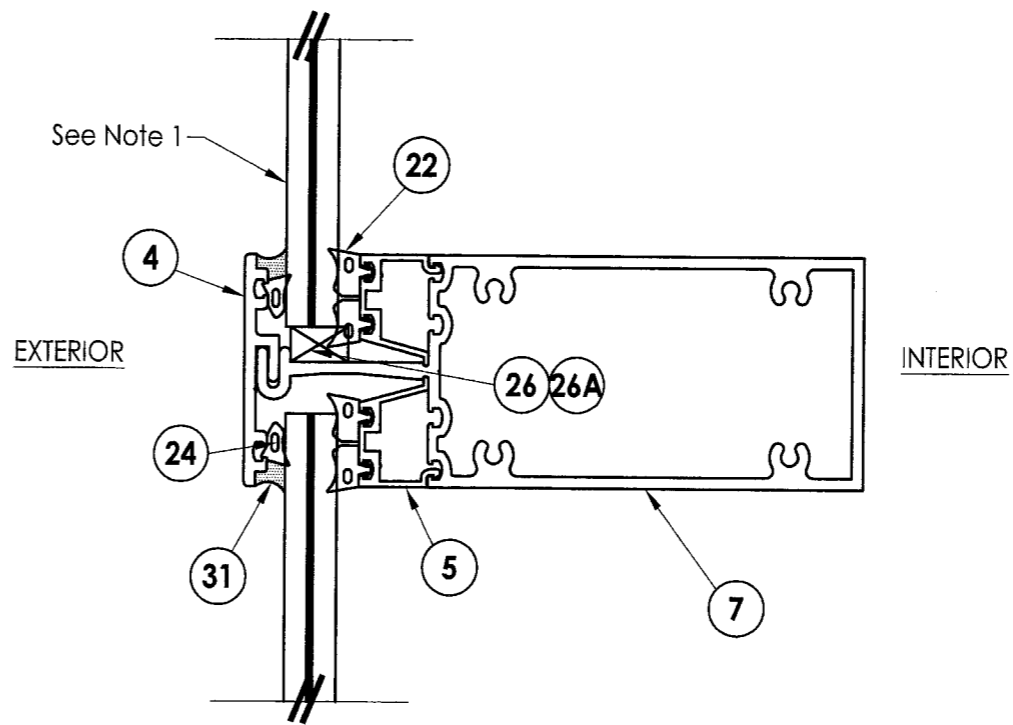
Approved as complying with the Florida Building Code  
 Date: 08/19/2010  
 NO. 01-1202-DI  
 Miami Test Product Control  
 By: Manuel Pina

Documents Prepared By:		BUILDING CONSULTANTS, INC. P.O. Box 230 Valrico FL, 33595 Phone No.: 813.659.9197													
PRODUCT:		WEST TAMPA GLASS SERIES WTG-700													
PART OR ASSEMBLY:		HORIZONTAL CROSS SECTIONS													
DATE:		7/1/09													
SCALE:		N.T.S.													
DWG. BY:		AL													
CHK. BY:		LFS													
DRAWING NO.:		S-4089													
SHEET		6 OF 18													
REVISIONS		<table border="1"> <thead> <tr> <th>NO.</th> <th>DATE</th> <th>REVISIONS</th> <th>BY</th> </tr> </thead> <tbody> <tr> <td>2</td> <td>7/20/10</td> <td>REVISED PER DADE COMMENTS</td> <td>LFS</td> </tr> <tr> <td>1</td> <td>05/03/10</td> <td>REVISED PER DADE COMMENTS</td> <td>JK</td> </tr> </tbody> </table>		NO.	DATE	REVISIONS	BY	2	7/20/10	REVISED PER DADE COMMENTS	LFS	1	05/03/10	REVISED PER DADE COMMENTS	JK
NO.	DATE	REVISIONS	BY												
2	7/20/10	REVISED PER DADE COMMENTS	LFS												
1	05/03/10	REVISED PER DADE COMMENTS	JK												

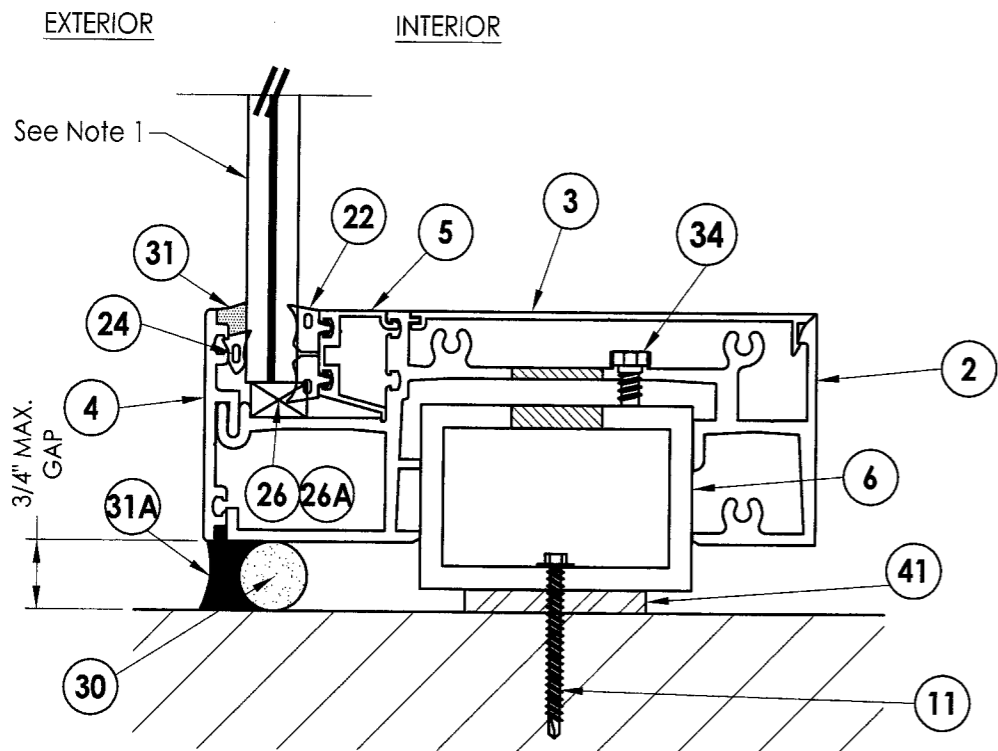


**1** VERTICAL CROSS SECTION  
7 Head Detail  
Dry Glazed Option

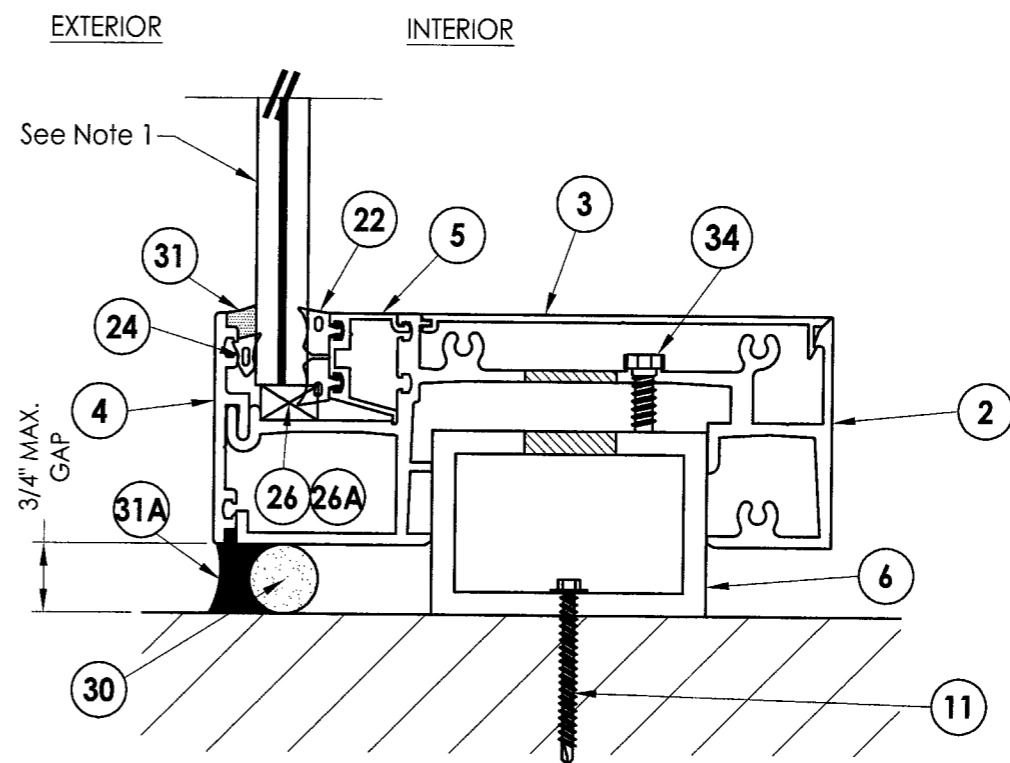
NOTES:  
1. See sheets 2 & 3 for glazing option details and sheets 13 & 14 for face cover option details.



**2** VERTICAL CROSS SECTION  
7 Intermediate Horizontal Mullion Detail  
Dry Glazed Option



**3** VERTICAL CROSS SECTION  
7 Sill Detail w/ Steel Angle Clip  
Dry Glazed Option



**4** VERTICAL CROSS SECTION  
7 Sill Detail  
Dry Glazed Option

Approved as complying with the Florida Building Code  
Date: Oct. 6, 2010  
NOA# 04-1202.01  
Miami Dade Product Control  
By: *Manuel Perez*

Documents Prepared By:  
BUILDING CONSULTANTS, INC.  
P.O. Box 230 Valrico FL 33595  
Phone No.: 813.659.9197  
Florida Board of Professional Engineers  
Certificate of Authorization No. 9813  
*Ryan King* 9-8-10  
Ryan J. King, P.E./No. 64619

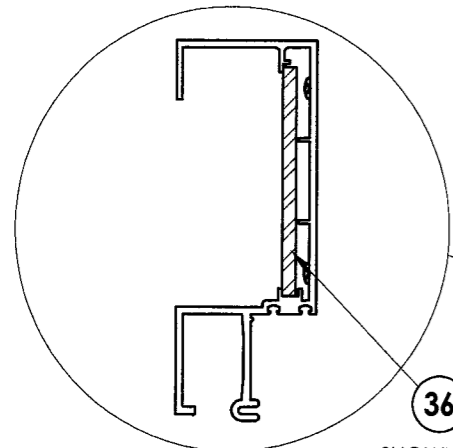
PRODUCT: WEST TAMPA GLASS  
SERIES WTG-700  
PART OR ASSEMBLY: VERTICAL CROSS SECTIONS

NO.	DATE	REVISIONS
2	7/20/10	REVISED PER DADE COMMENTS LFS
1	5/03/10	REVISED PER DADE COMMENTS JK
		BY

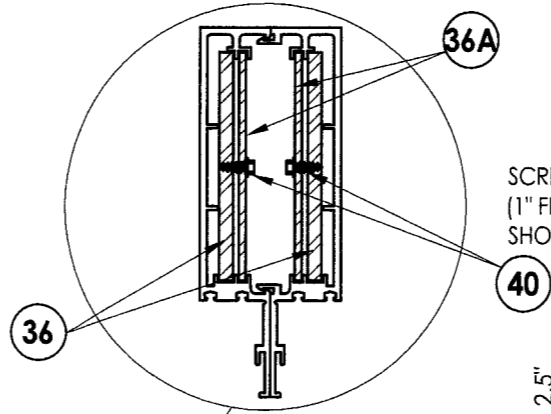
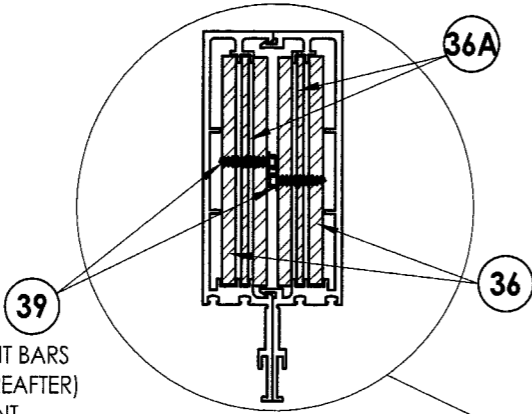
DATE: 7/1/09  
SCALE: N.T.S.  
DWG. BY: AL  
CHK. BY: LFS  
DRAWING NO.: S-4088  
SHEET 7 of 18



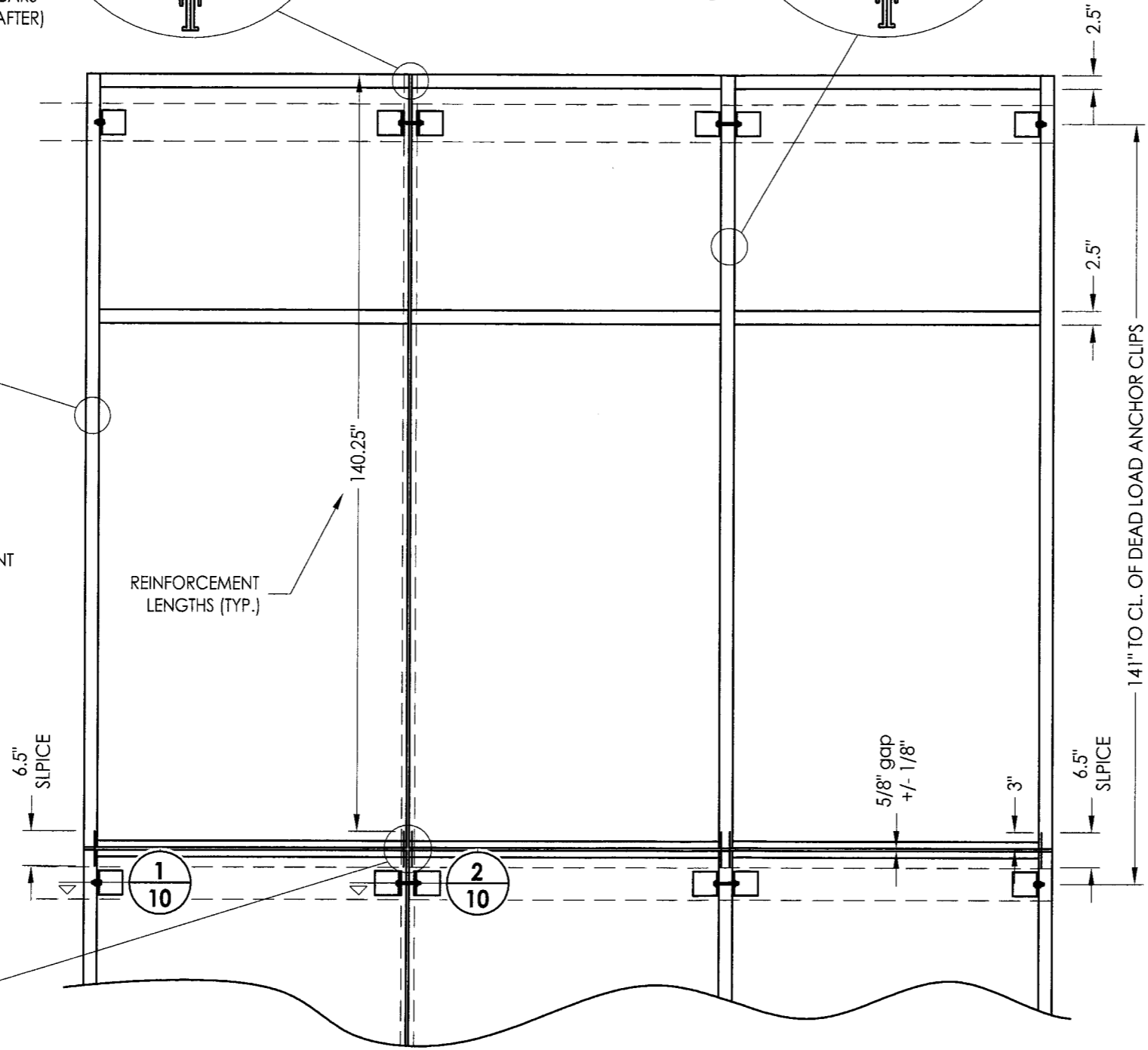
1/4" X 4" X 6-1/2" LONG ALUMINUM SPLICE PLATE FOR ALIGNMENT DURING INSTALLATION



SCREWS BETWEEN REINFORCEMENT BARS (1" FROM ENDS AND 18" O.C. THEREAFTER) SHOWN w/ HEAVY REINFORCEMENT



SCREWS BETWEEN REINFORCEMENT BARS (1" FROM ENDS AND 18" O.C. THEREAFTER) SHOWN w/ LIGHT REINFORCEMENT



TWIN SPAN PARTIAL INSTALLATION ELEVATION

Approved as complying with the Florida Building Code  
 Date: 09/19/2010  
 NEDAW 091-1202.01  
 Miami Trade Product Control  
 By: *Manuel Lopez*

Documents Prepared By:

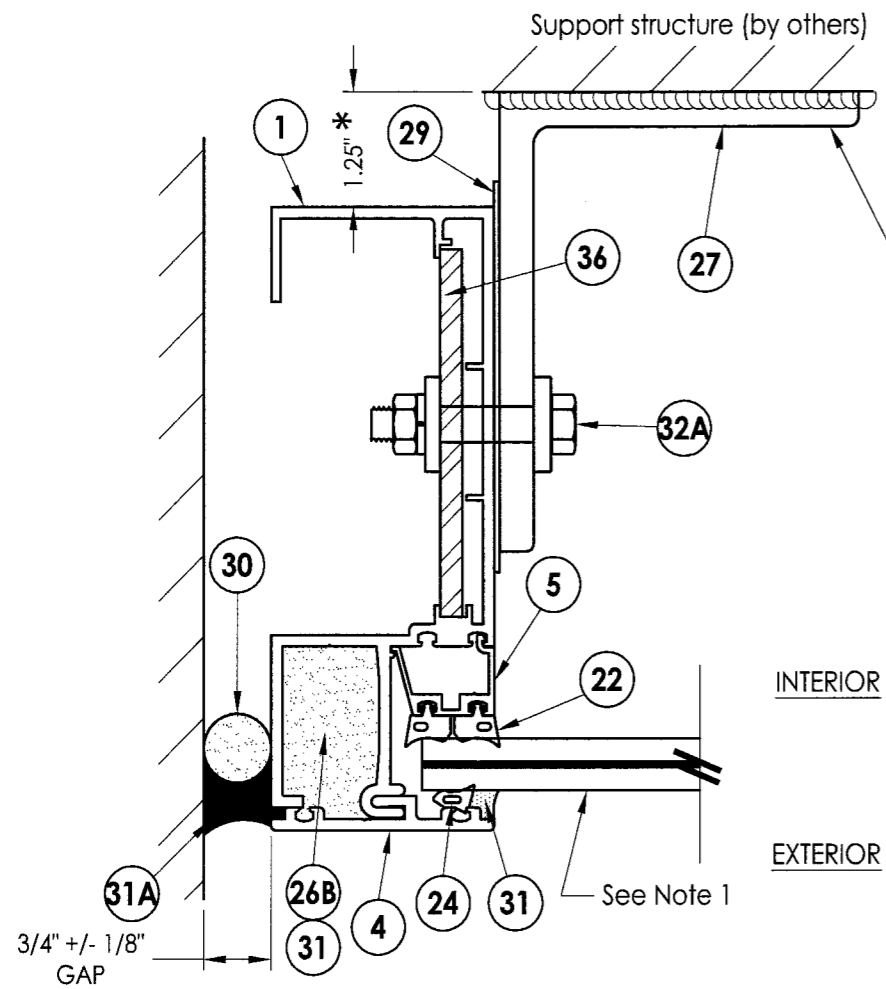
**R.W. BUILDING CONSULTANTS, INC.**  
 P.O. Box 230 Valrico FL 33595  
 Phone No.: 813.659.9197  
 Florida Board of Professional Engineers  
 Certificate Of Authorization No. 9813  
*Manuel Lopez* 9-8-10  
 Ryan J. King, P.E. No. 64619

PRODUCT: WEST TAMPA GLASS SERIES WTG-700

PART OR ASSEMBLY: TWIN SPAN DETAILS

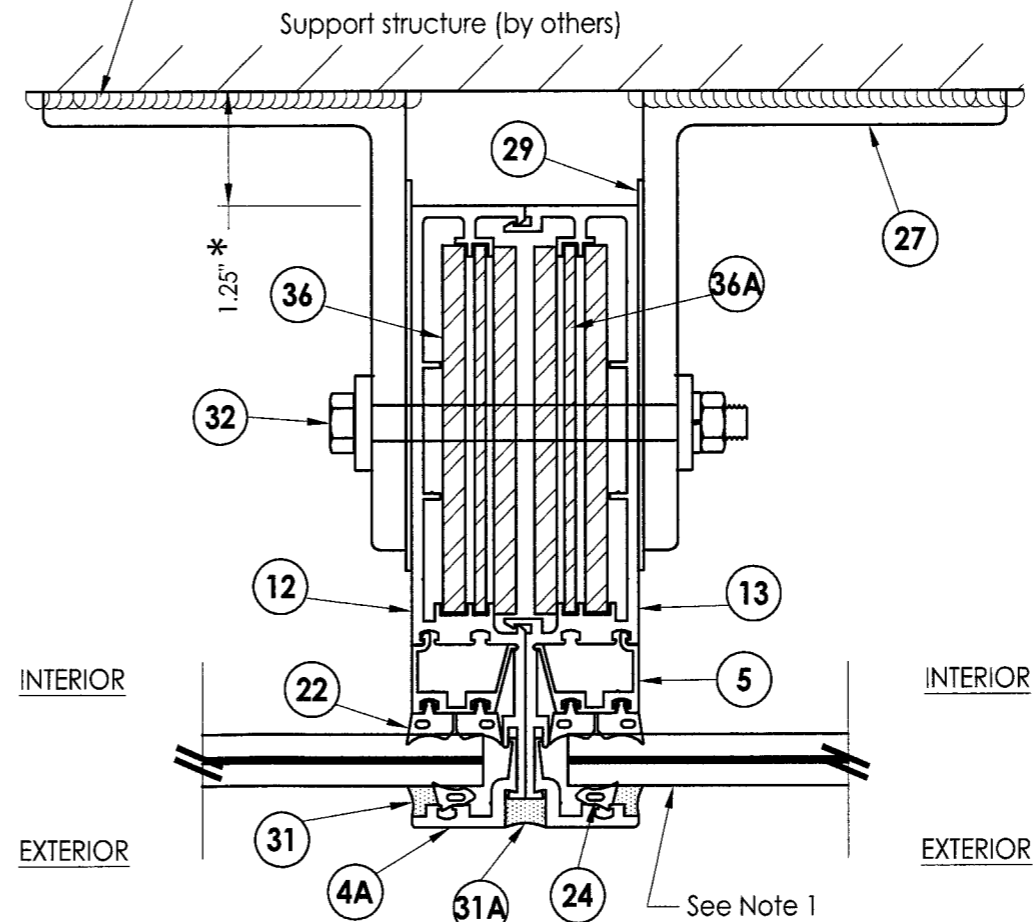
NO.	DATE	REVISIONS
2	7/02/10	REVISED PER DADE COMMENTS
1	04/22/10	REVISED PER DADE COMMENTS

DATE: 7/1/09  
 SCALE: N.T.S.  
 DWG. BY: AL  
 CHK. BY: LFS  
 DRAWING NO.: S-4088  
 SHEET 9 of 18



**1** **HORIZONTAL CROSS SECTION**  
**10** Intermediate Jamb Deadload Anchor Detail  
 Dry Glazed Option

Anchoring of curtain wall system to supporting structure is the responsibility of the Architect or Engineer of Record.



**2** **HORIZONTAL CROSS SECTION**  
**10** Intermediate Mullion Deadload Anchor Detail  
 Dry Glazed Option

- NOTES:
- See sheets 2 & 3 for glazing option details and sheets 13 & 14 for face cover option details.
  - \*Dimension shown as tested and may be modified as specified by the Architect or Engineer of Record.

Approved as complying with the Florida Building Code  
 Date: **08-19-2010**  
 NCAP: **08-19-2010**  
 Miami Dade Product Control  
 By: *Mauro Perez*

Documents Prepared By:

**RW** BUILDING CONSULTANTS, INC.  
 P.O. Box 230 Valrico FL 33595  
 Phone No.: 813.659.9197  
 Florida Board of Professional Engineers  
 Certificate Of Authorization No. 9813  
*Ryan J. King*  
 Ryan J. King, P.E. No. 64619

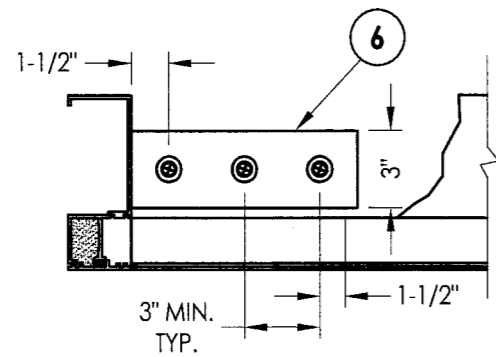
PRODUCT: WEST TAMPA GLASS SERIES WTG-700

PART OR ASSEMBLY: TWIN SPAN DETAILS

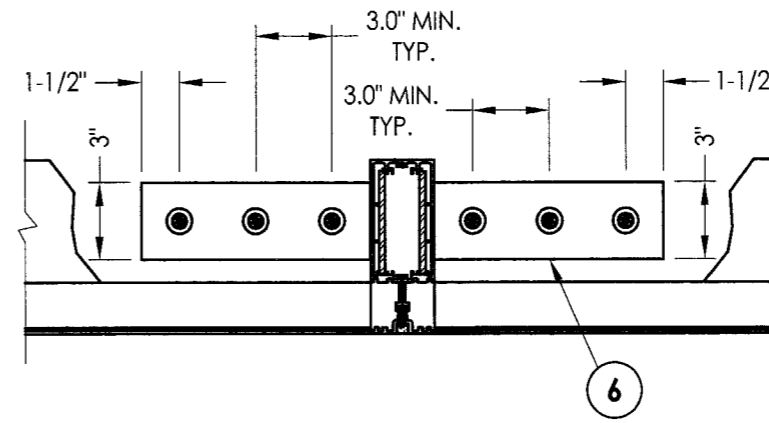
NO.	DATE	REVISIONS	BY
2	7/20/10	REVISED PER DADE COMMENTS	LFS
1	5/03/10	REVISED PER DADE COMMENTS	JK

DATE: 7/1/09  
 SCALE: N.T.S.  
 DWG. BY: AL  
 CHK. BY: LFS  
 DRAWING NO.: S-4088  
 SHEET 10 OF 18

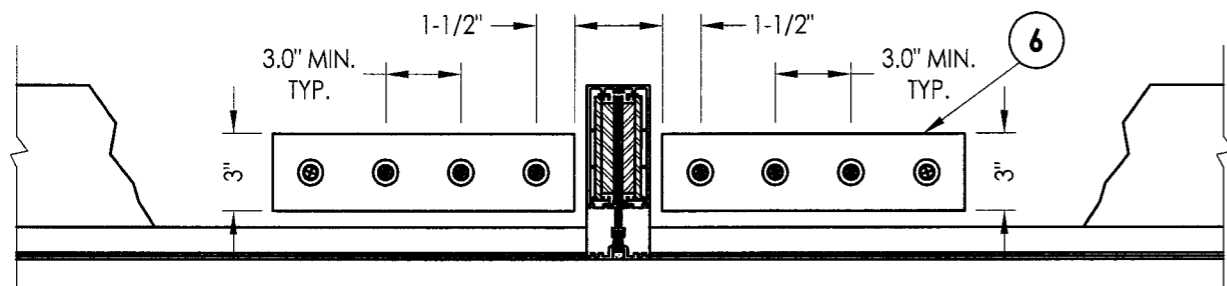




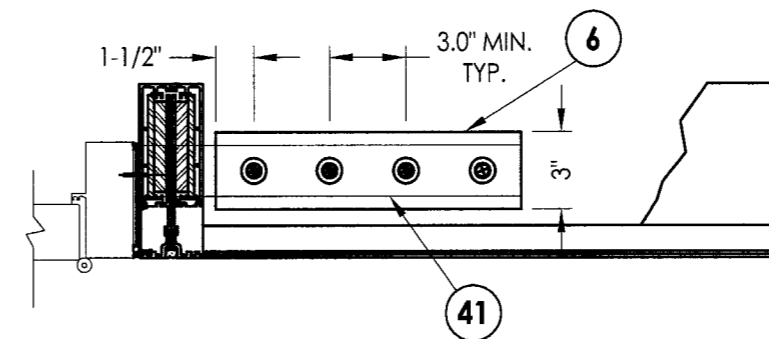
**1** **HORIZONTAL CROSS SECTION @ JAMB**  
**12** Sill & sill cover partially removed for clarity  
 Anchor @ head similar



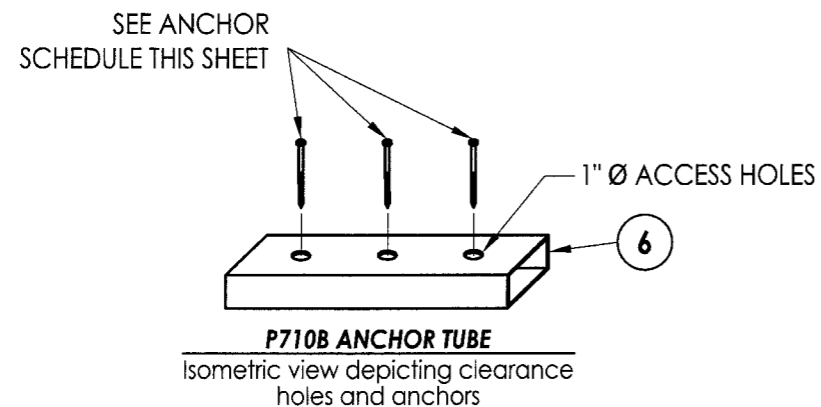
**2** **HORIZONTAL CROSS SECTION @ VERTICAL**  
**12** Sill & sill cover partially removed for clarity  
 Anchor @ head similar





**3** **HORIZONTAL CROSS SECTION @ DOOR JAMB**  
**12** Head & head cover partially removed for clarity



**4** **HORIZONTAL CROSS SECTION @ DOOR JAMB**  
**12** Sill & sill cover partially removed for clarity



**P710B ANCHOR TUBE**  
 Isometric view depicting clearance holes and anchors

ANCHOR SCHEDULE	
SUBSTRATE	ANCHOR
CONCRETE: 	5/16" DIA. X 2-3/4" ITW HWH TAPCON ANCHOR WITH 2.25" MIN. EMBEDMENT, 2-3/16" MIN EDGE DISTANCE & 3.0" MIN. CENTERLINE DISTANCE. CONCRETE CONFORMING TO ACI 301 (3,192 PSI MIN.)
STEEL: 	1/4-20 X 1-1/2" HWH #4 KWIK-FLEX SELF DRILLING SCREW (A MINIMUM OF 3 THREADS SHALL PROTRUDE THROUGH THE STEEL SUBSTRATE) STEEL CONFORMING TO ASTM A653, .125" MIN. WALL THICKNESS Fy = 33,000 PSI, Fu = 45,000 PSI

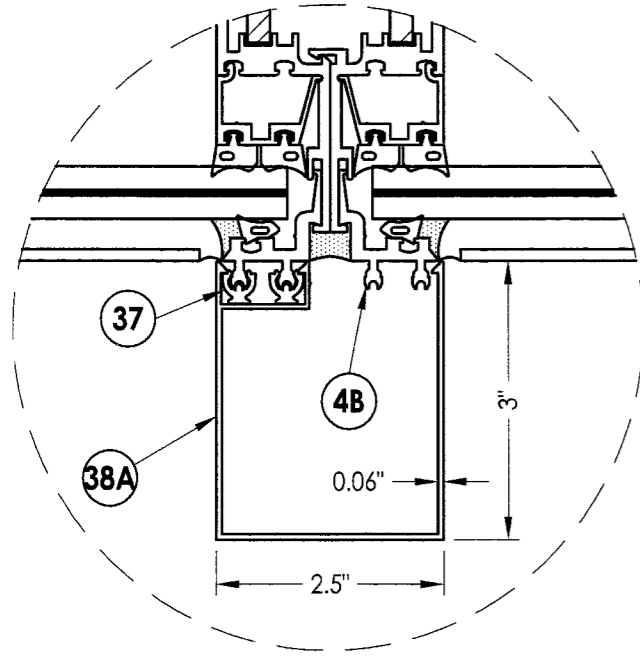
Approved as complying with the Florida Building Code  
 Date: **05-12-2010**  
 NO. **09-1202.01**  
 Mixed Duty Product Control  
 By: *Manuel Torres*

Documents Prepared By:  
**RW** BUILDING CONSULTANTS, INC.  
 P.O. Box 230 Valrico FL, 33595  
 Phone No.: 813.659.9197  
 Florida Board of Professional Engineers  
 Certificate of Authorization No. 9813  
*Ryan J. King* 9-8-10  
 Ryan J. King, P.E. No. 64619

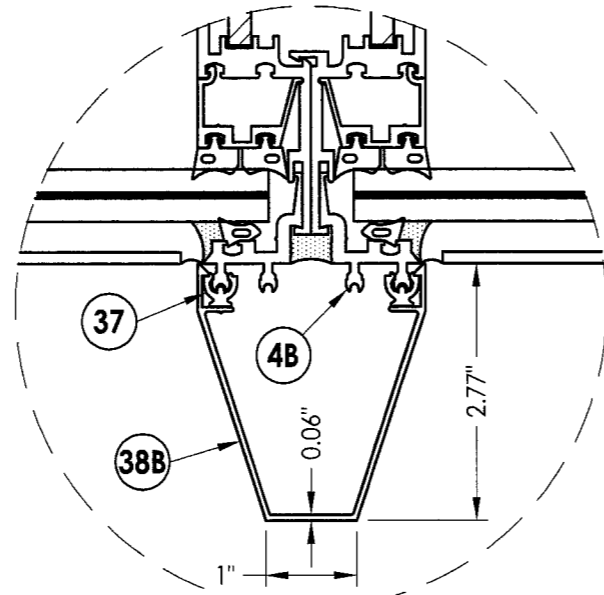
PRODUCT: WEST TAMPA GLASS SERIES WTG-700  
 PART OR ASSEMBLY: ANCHORING

NO.	DATE	REVISIONS
2	7/20/10	REVISED PER DADE COMMENTS LFS
1	05/03/10	REVISED PER DADE COMMENTS JK
		BY

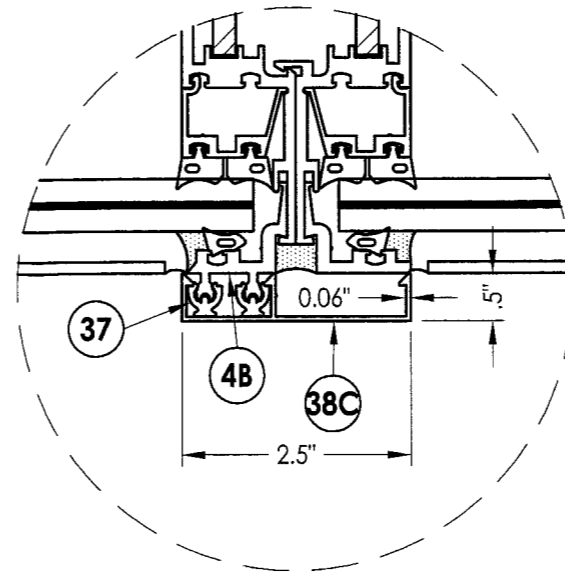
DATE: 7/1/09  
 SCALE: N.T.S.  
 DWG. BY: AL  
 CHK. BY: LFS  
 DRAWING NO.: S-4088  
 SHEET 12 OF 18



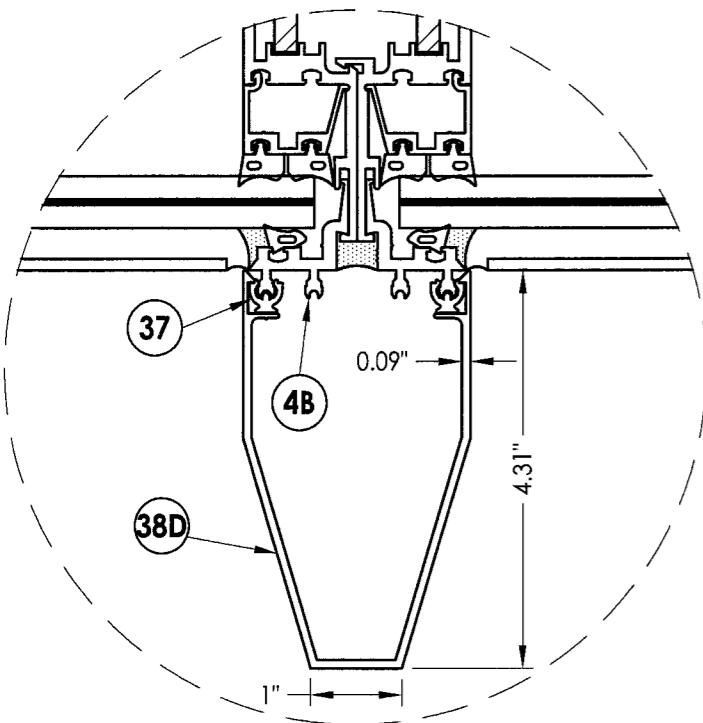
DEEP SQUARE VERTICAL FACE COVER



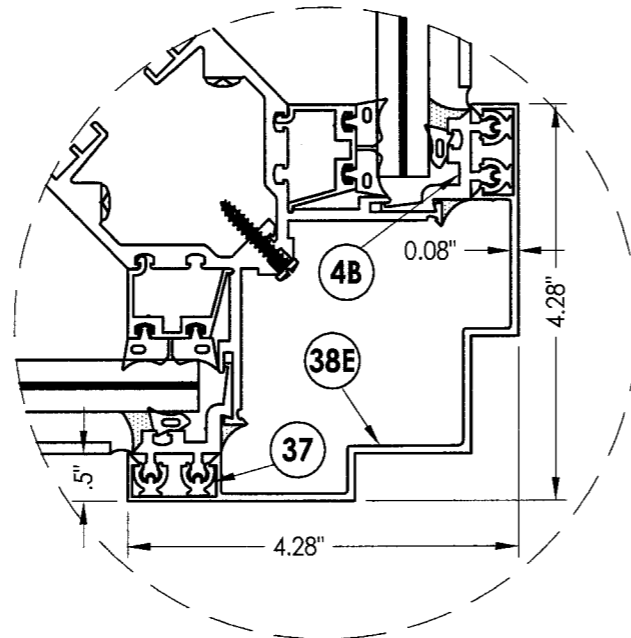
HALF DEEP VERTICAL FACE COVER



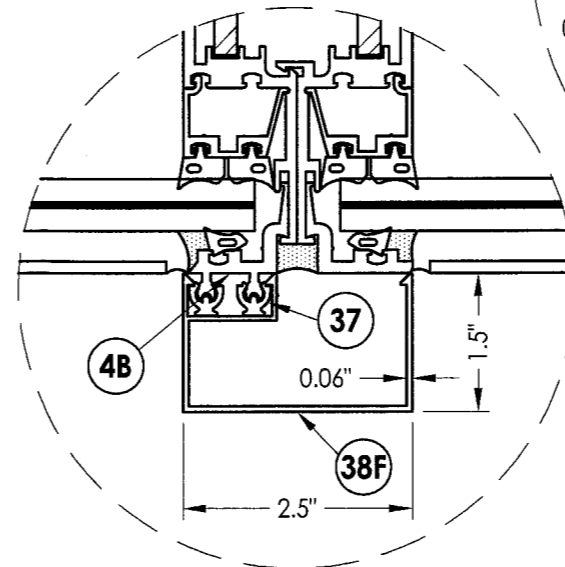
TYPICAL FACE COVER



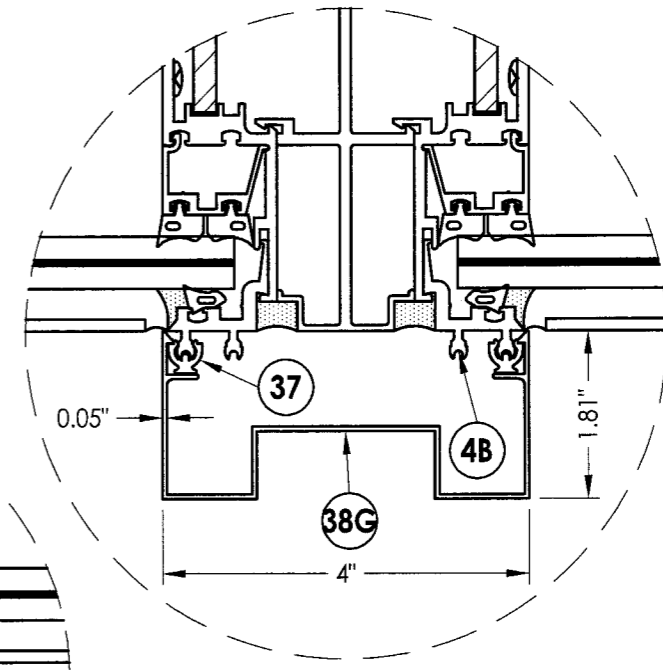
DEEP VERTICAL FACE COVER



TYPICAL CORNER FACE COVER



HALF DEEP SQUARE VERTICAL FACE COVER

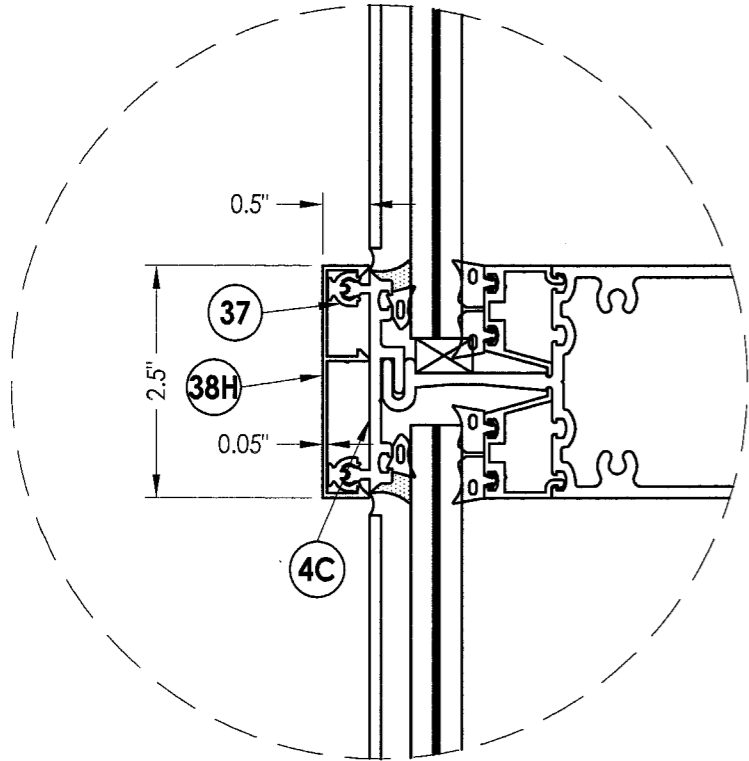


4" NOTCHED VERTICAL FACE COVER

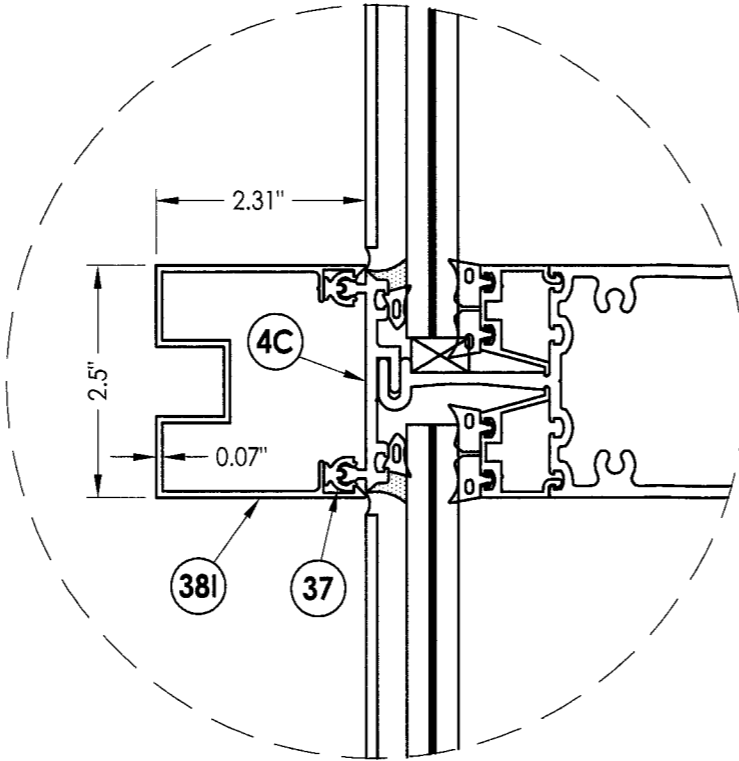
Approved as complying with the Florida Building Code  
 Date: 05/22/10  
 NOA# 09-1202.01  
 Miami Dade Product Control  
 Division  
 By: *Manuel Diaz*

Documents Prepared By:		BUILDING CONSULTANTS, INC. P.O. Box 230 Valrico FL 33595 Phone No.: 813.659.9197	
PRODUCT:		WEST TAMPA GLASS SERIES WTG-700	
PART OR ASSEMBLY:		FACE COVER OPTION DETAILS	
NO.	DATE	REVISIONS	BY
2	7/20/10	REVISED PER DADE COMMENTS	LFS
1	5/03/10	REVISED PER DADE COMMENTS	JK
DATE:		7/1/09	
SCALE:		N.T.S.	
DWG. BY:		AL	
CHK. BY:		LFS	
DRAWING NO.:		S-4088	
SHEET		13 OF 18	

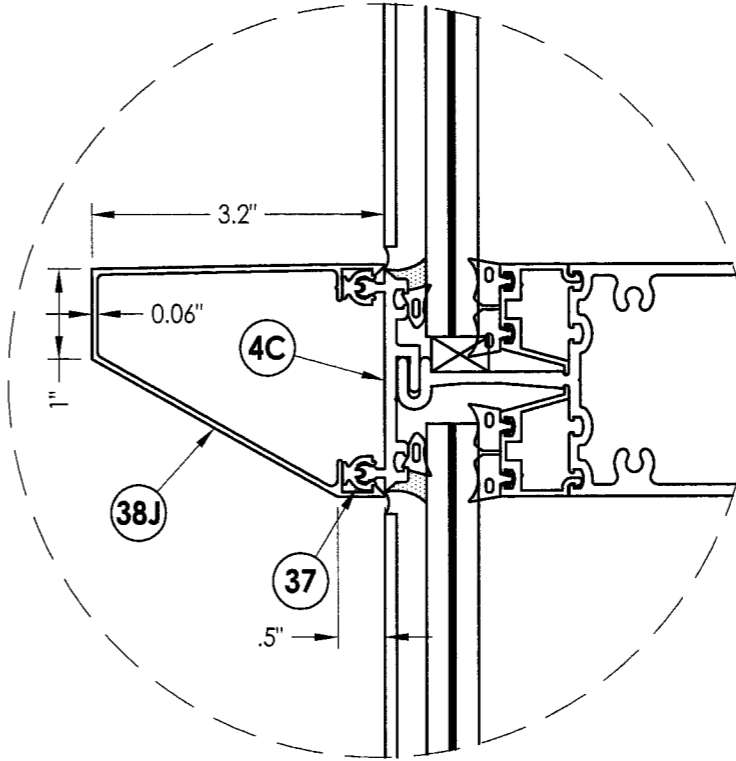
RW  
 Florida Board of Professional Engineers  
 Certificate of Authorization No. 9813  
*Manuel Diaz* 9-8-10  
 Ryan J. King, P.E. No. 64619



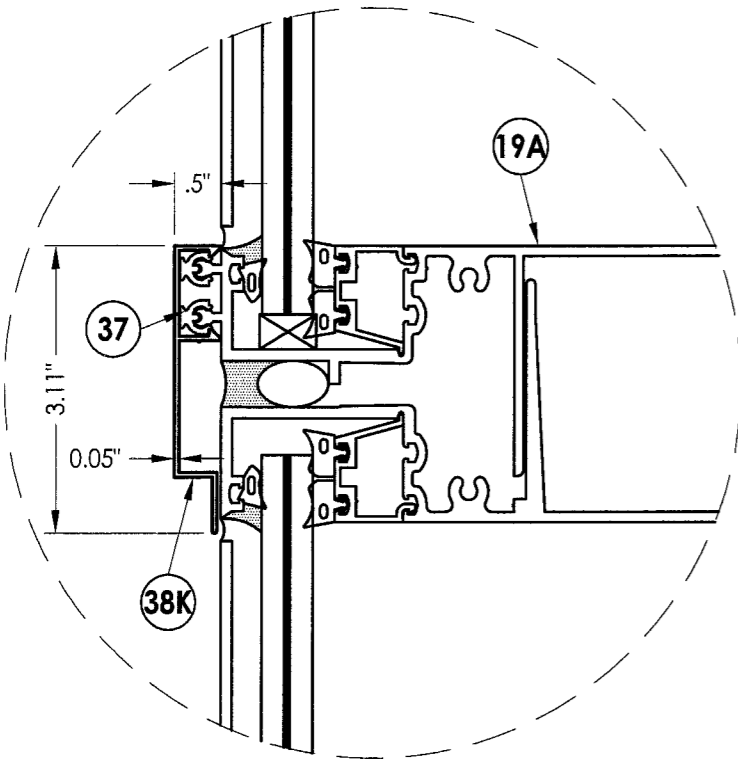
TYPICAL FACE COVER



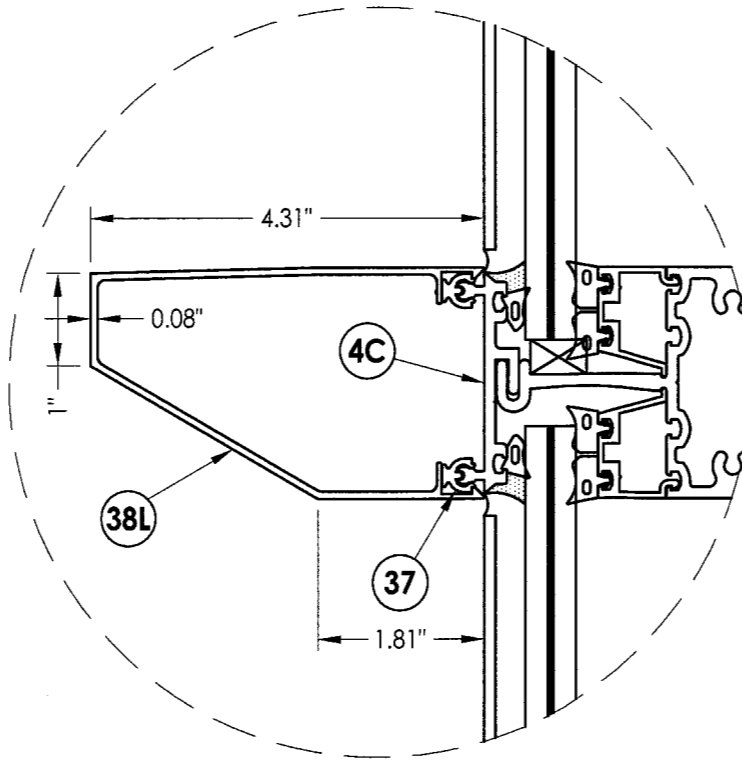
NOTCHED HORIZONTAL FACE COVER



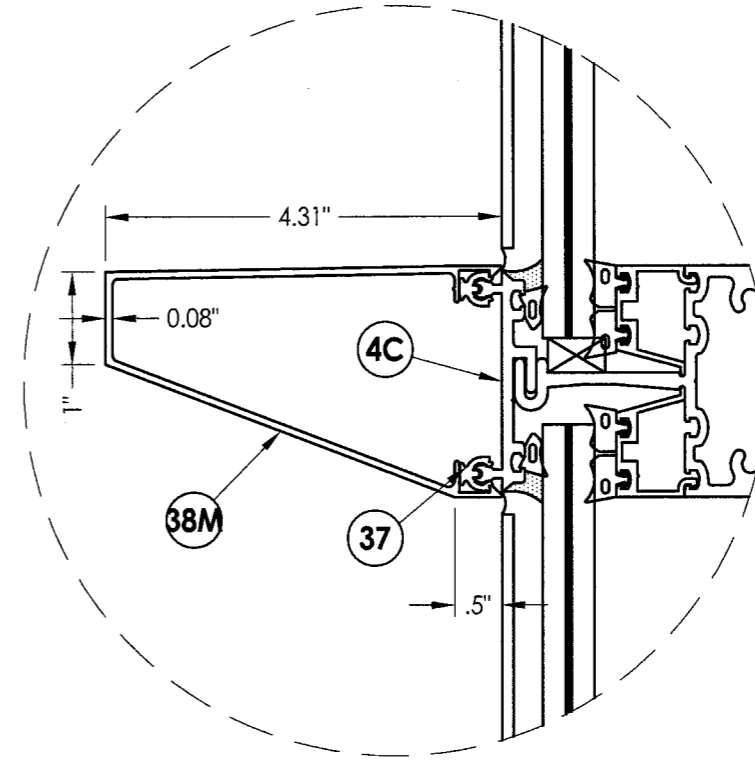
HALF DEEP HORIZONTAL FACE COVER



TWIN SPAN HORIZONTAL FACE COVER



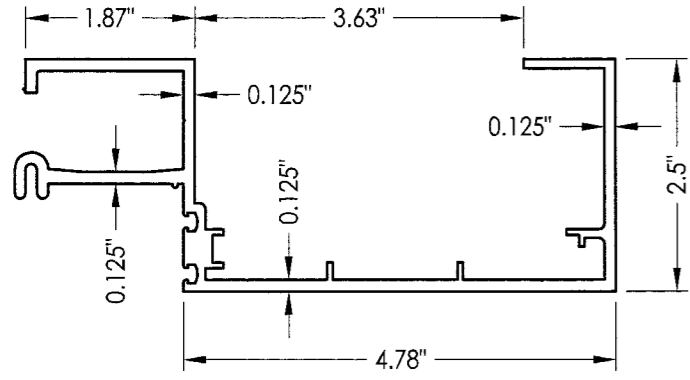
DEEP SLOPED HORIZONTAL FACE COVER



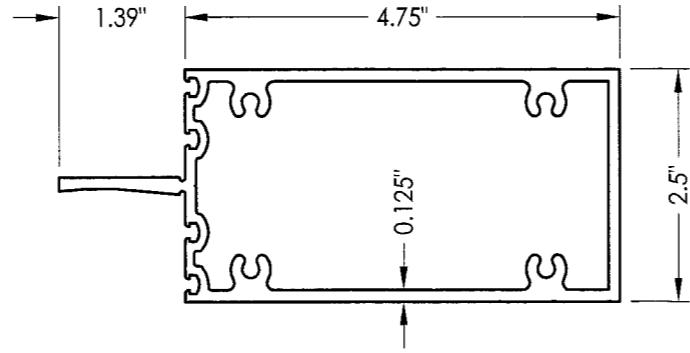
DEEP SLOPED HORIZONTAL FACE COVER OPTION 2

Approved as complying with the Florida Building Code  
 Date: 06/19/2010  
 NOAH 04-1202-01  
 Miami Dade Product Control  
 BY: *Manuel Lopez*

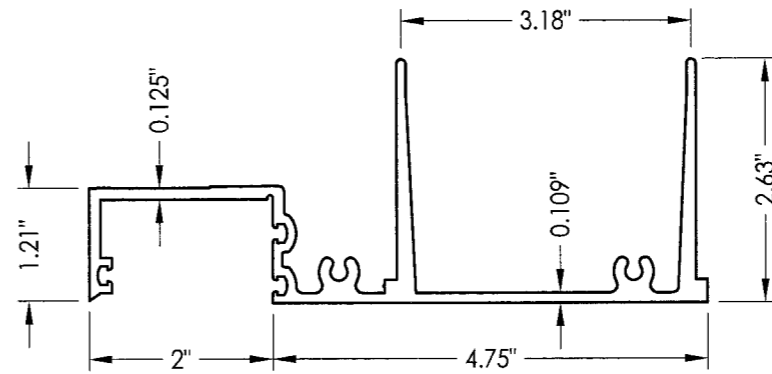
Documents Prepared By: <b>RW</b> BUILDING CONSULTANTS, INC. P.O. Box 230 Vairico FL. 33595 Phone No.: 813.659.9197	
Florida Board of Professional Engineers Certificate of Authorization No. 9813 <i>Manuel Lopez</i> 9-8-10 Ryan J. King, P.E. No. 64619	
PRODUCT: WEST TAMPA GLASS SERIES WTG-700	PART OR ASSEMBLY: FACE COVER OPTION DETAILS
NO. DATE 2 7/20/10 REVISED PER DADE COMMENTS 1 5/03/10 REVISED PER DADE COMMENTS	LFS JK BY
REVISIONS	
DATE: 7/1/09	
SCALE: N.T.S.	
DWG. BY: AL	
CHK. BY: LFS	
DRAWING NO.: S-4088	
SHEET 14 OF 18	



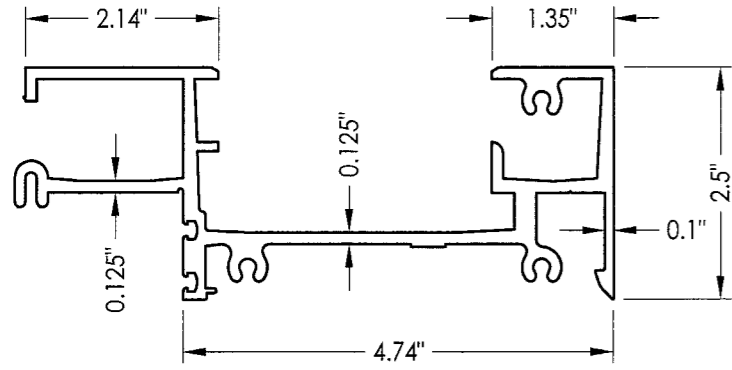
1 JAMB



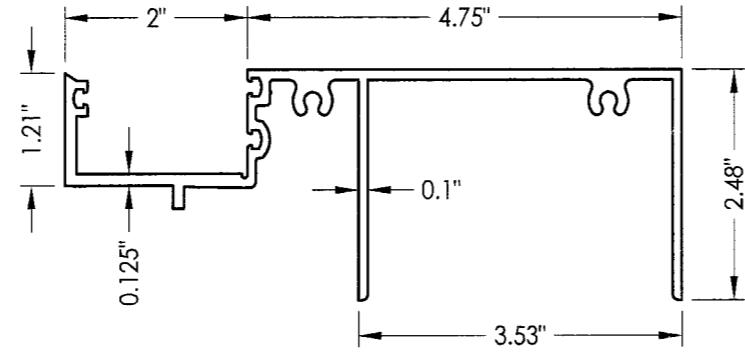
7A INTERMEDIATE HORIZONTAL



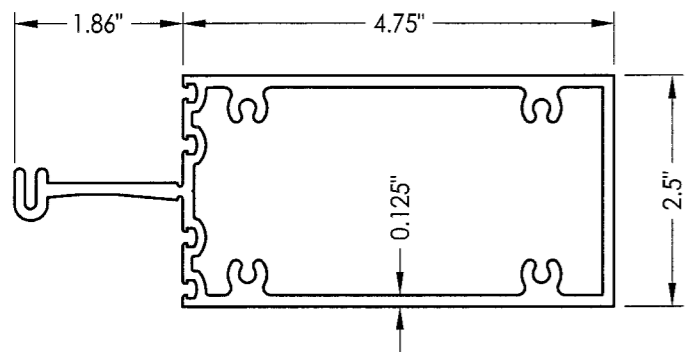
20 BOTTOM TWIN SPAN



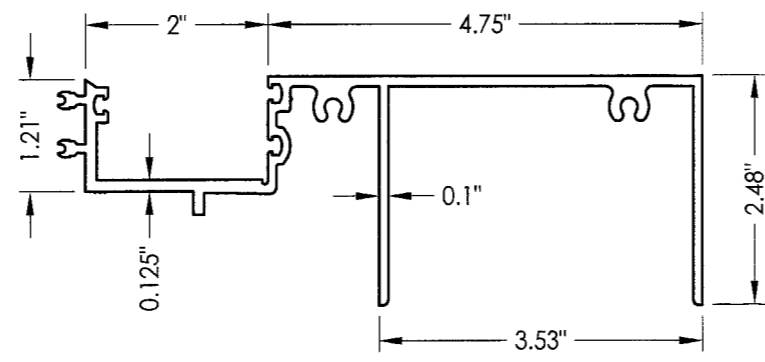
2 HEAD & SILL



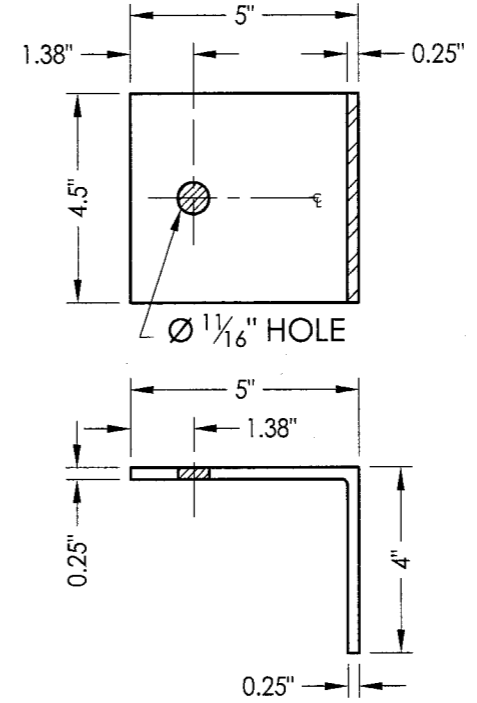
19 TOP TWIN SPAN



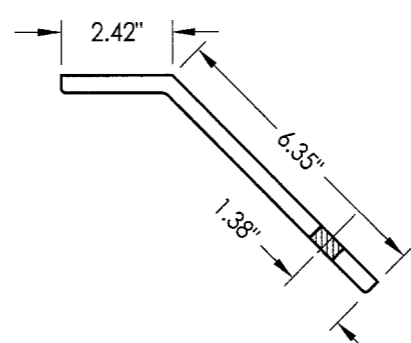
7 INTERMEDIATE HORIZONTAL



19A TOP TWIN SPAN



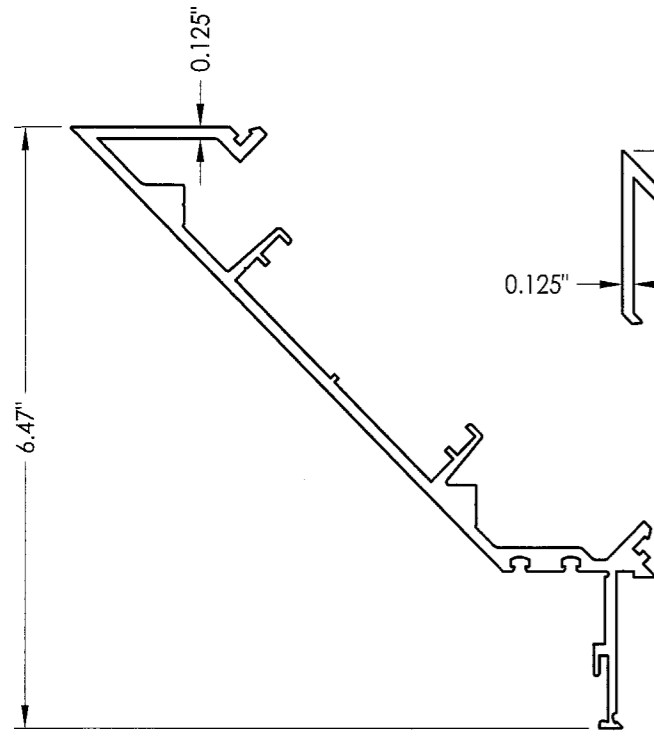
27 DEAD LOAD ANCHOR CLIP



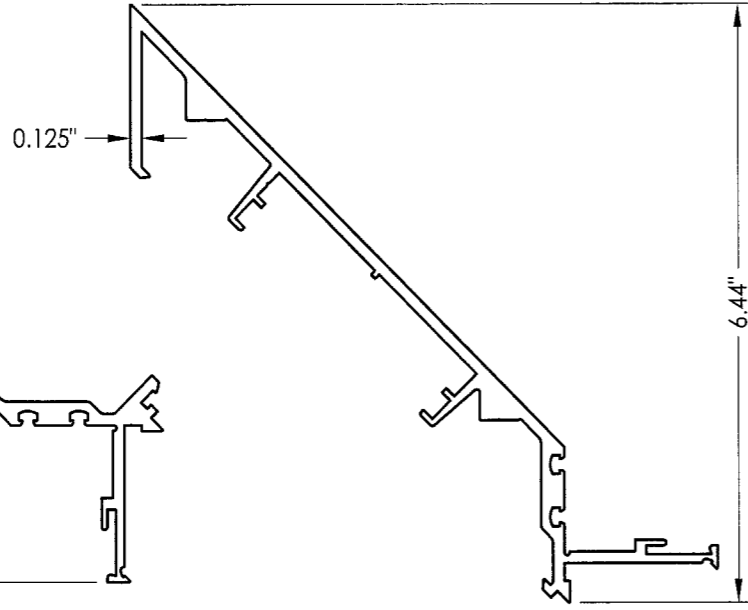
27A DEAD LOAD ANCHOR CLIP @ 45°

Approved as complying with the Florida Building Code  
 Date **OCT 9 2010**  
 NOAH **09-1202.0J**  
 Miami Dade Product Control  
 By *Manuel Reyes*

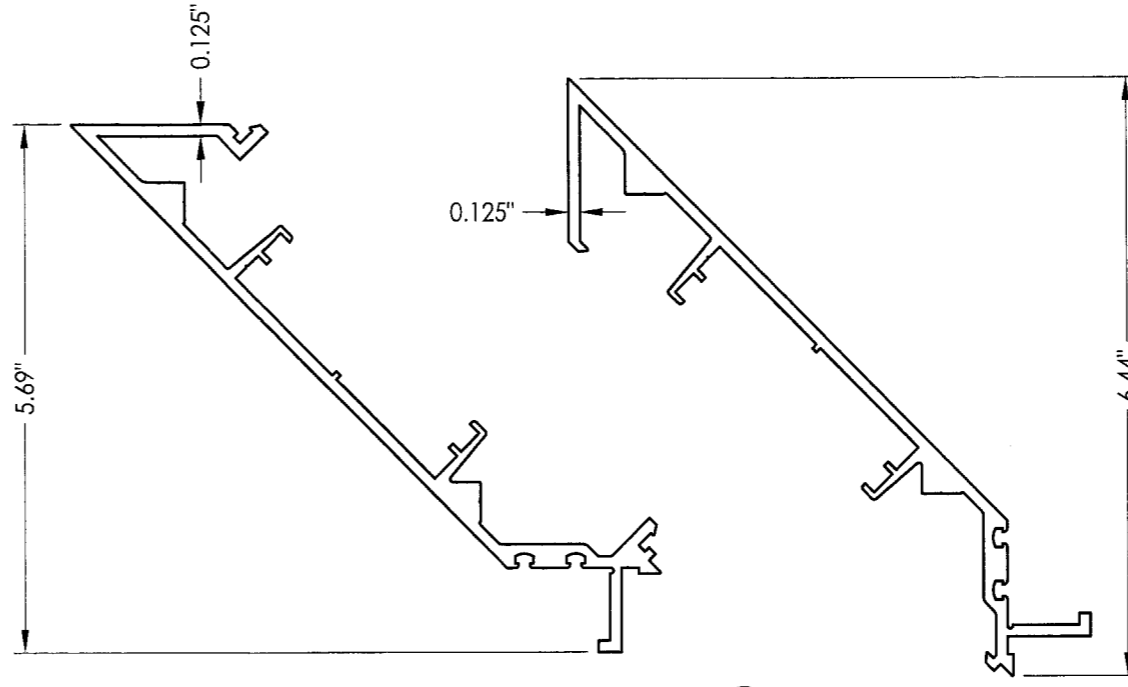
Documents Prepared By: <b>RW</b> BUILDING CONSULTANTS, INC. P.O. Box 230 Valrico FL 33595 Phone No.: 813.659.9197		Florida Board of Professional Engineers Certificate of Authorization No. 9813 <i>Ryan J. King</i> 9-8-10 Ryan J. King, P.E. No. 64619	
PRODUCT: WEST TAMPA GLASS SERIES WTG-700		PART OR ASSEMBLY: COMPONENTS	
DATE: 7/1/09	SCALE: N.T.S.	NO.	DATE
DWG. BY: AL	CHK. BY: LFS	2	7/20/10
DRAWING NO.: S-4088		1	5/03/10
SHEET 15 OF 18			



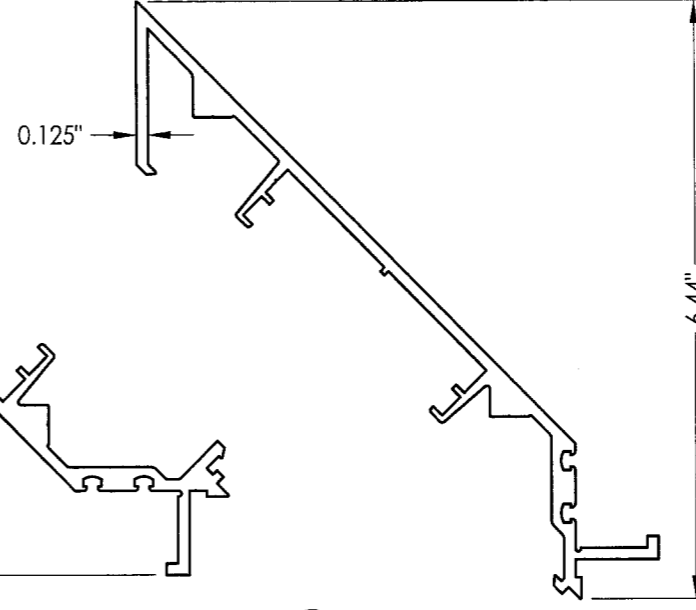
8 MALE CORNER



9 FEMALE CORNER



8A MALE CORNER

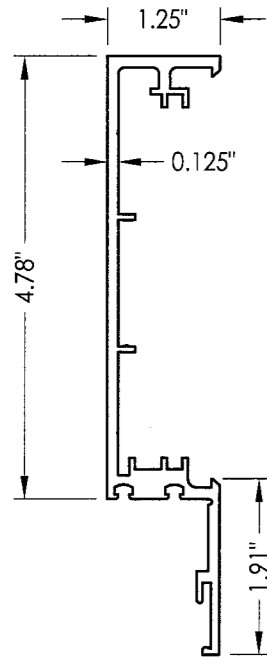


9A FEMALE CORNER

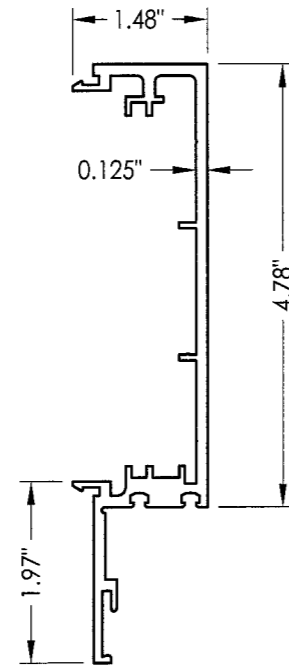
Approved as complying with the  
Florida Building Code  
Date: 05/19/2010  
NO. 04-1202.01  
Miami Dade Product Control  
Division  
By: *Maurel Spivey*

Documents Prepared By:

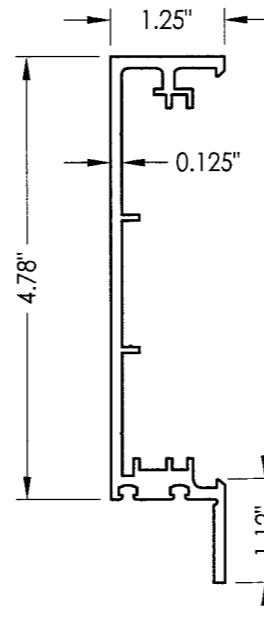
*RW*  
BUILDING CONSULTANTS, INC.  
P.O. Box 230 Valrico FL 33595  
Phone No.: 813.659.9197  
Florida Board of Professional Engineers  
Certificate Of Authorization No. 9813  
*Ryan King* 9-8-10  
Ryan J. King, P.E. No. 64619



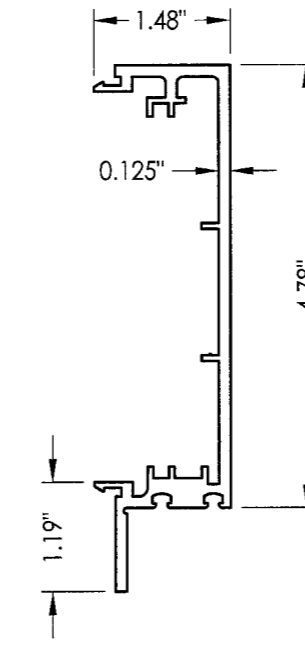
12 MULLION FEMALE



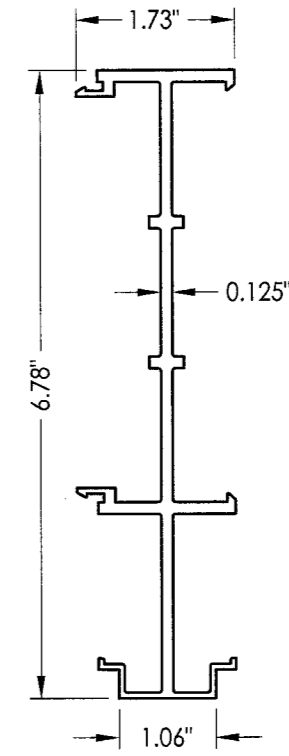
13 MULLION MALE



12A MULLION FEMALE



13A MULLION MALE



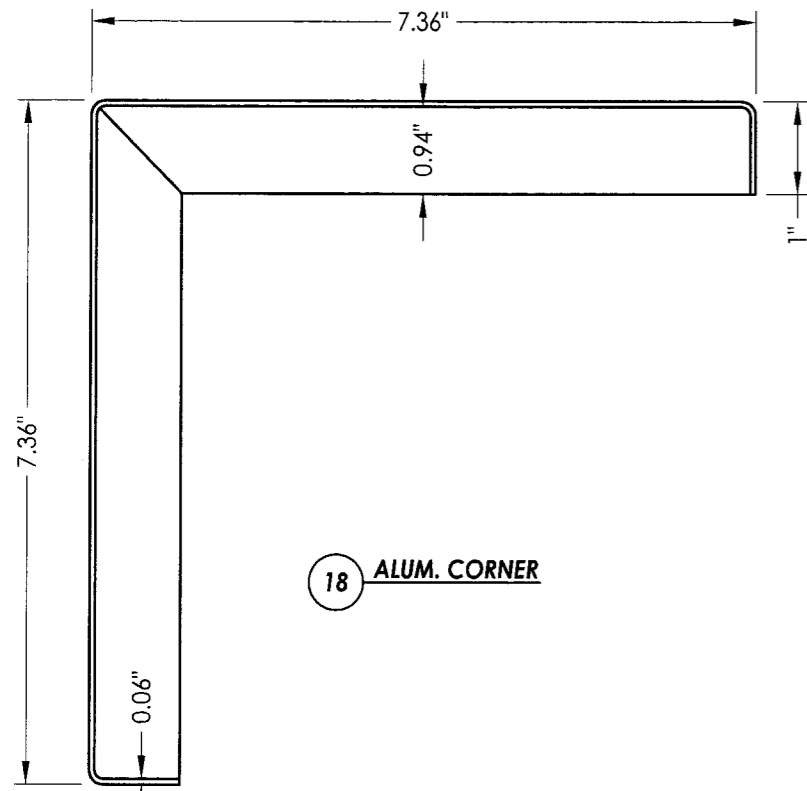
14 MULLION ADAPTOR

PRODUCT:  
WEST TAMPA GLASS  
SERIES WTC-700

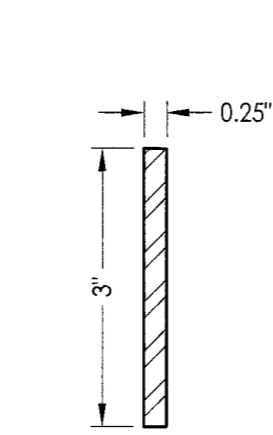
PART OR ASSEMBLY:  
COMPONENTS

NO.	DATE	REVISIONS
2	7/20/10	REVISED PER DADE COMMENTS LFS
1	5/03/10	REVISED PER DADE COMMENTS JK
		BY

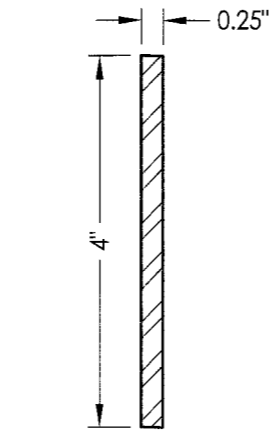
DATE: 7/1/09  
SCALE: N.T.S.  
DWG. BY: AL  
CHK. BY: LFS  
DRAWING NO.: S-4088  
SHEET 16 OF 18



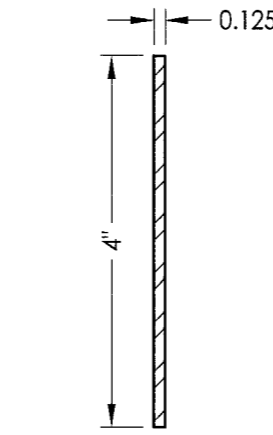
18 ALUM. CORNER



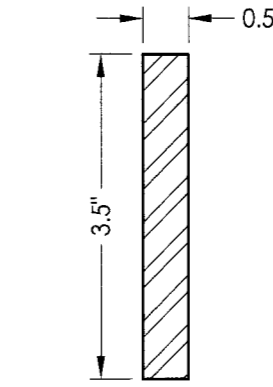
35 REINFORCEMENT



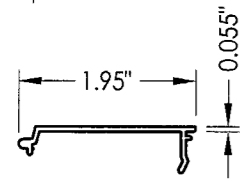
36 REINFORCEMENT



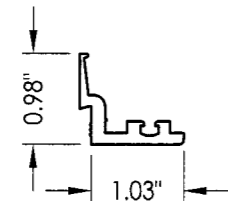
36A REINFORCEMENT



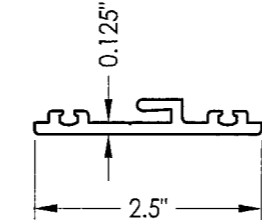
36B REINFORCEMENT



15 GLASS POCKET FILLER



4A GLASS RETAINER



4 GLASS RETAINER



22 GASKET



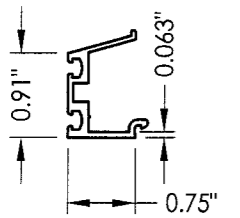
23 GASKET



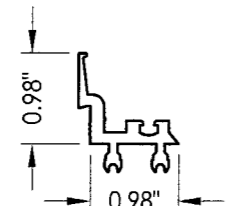
24 GASKET



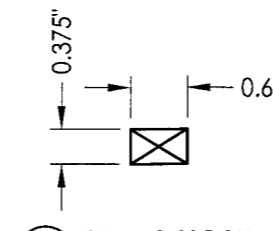
37 PLASTIC CLIPS



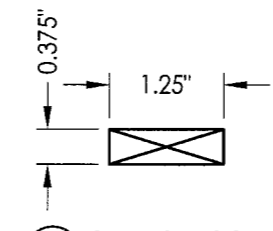
5 GLAZING ADAPTOR



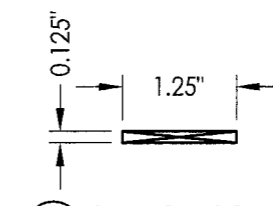
4B GLASS RETAINER



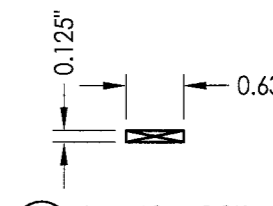
26 SETTING BLOCK



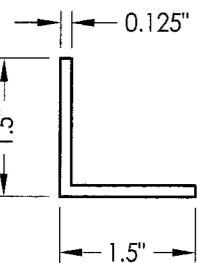
26A SETTING BLOCK



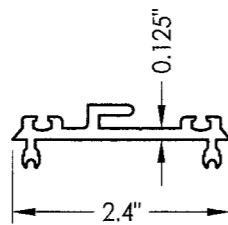
28 SETTING BLOCK



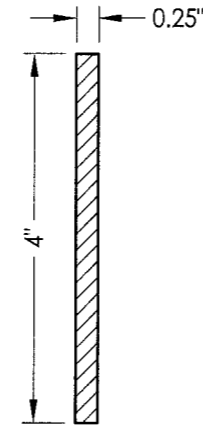
28A SETTING BLOCK



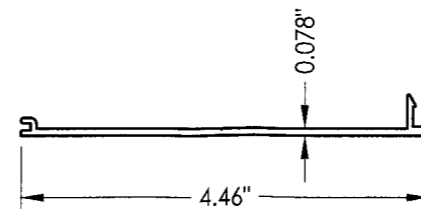
10 ALUMINUM ANGLE CLOSER



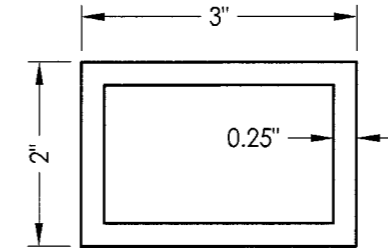
4C GLASS RETAINER



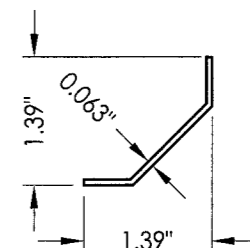
21 SPLICE  
6-1/2" long



3 HEAD & SILL COVER



6 RECTANGULAR TUBE



17 ALUM. CLOSER

Approved as complying with the Florida Building Code  
 Date: OCT 6 2010  
 NOA# 05-1202.01  
 Miami Dade Product Control  
 By: *Manuel Perez*

Documents Prepared By:

*RW* BUILDING CONSULTANTS, INC.  
 P.O. Box 230 Valrico FL 33595  
 Phone No.: 813.659.9197  
 Florida Board of Professional Engineers  
 Certificate Of Authorization No. 9813  
*Ryan King 1-8-11*  
 Ryan J. King, P.E. No. 64619

PRODUCT: WEST TAMPA GLASS  
 SERIES WTG-700

PART OR ASSEMBLY:  
 COMPONENTS

NO.	DATE	REVISIONS	BY
2	7/20/10	REVISED PER DADE COMMENTS	LFS
1	5/03/10	REVISED PER DADE COMMENTS	JK

DATE: 7/1/09  
 SCALE: N.T.S.  
 DWG. BY: AL  
 CHK. BY: LFS  
 DRAWING NO.: S-4088  
 SHEET 17 OF 18

BILL OF MATERIALS		
ITEM	DESCRIPTION	MATERIAL
C	MAX. 1/4" SHIM SPACE	-
1	JAMB (#706)	6063-T5 ALUM.
2	HEAD & SILL (#708)	6063-T5 ALUM.
3	HEAD & SILL COVER (#707)	6063-T5 ALUM.
4	GLASS RETAINER (#709)	6063-T5 ALUM.
4A	GLASS RETAINER (#703)	6063-T5 ALUM.
4B	GLASS RETAINER (#703A)	6063-T5 ALUM.
4C	GLASS RETAINER (#709A)	6063-T5 ALUM.
5	GLAZING ADAPTOR (#702)	6063-T5 ALUM.
6	2" X 3" X 1/4" RECTANGULAR TUBE (#710B)	6063-T5 ALUM.
7	INTERMEDIATE HORIZONTAL (#701)	6063-T5 ALUM.
7A	INTERMEDIATE HORIZONTAL (#701A)	6063-T5 ALUM.
8	MALE CORNER (#714)	6061-T6 ALUM.
8A	MALE CORNER (#714A)	6061-T6 ALUM.
9	FEMALE CORNER (#715)	6061-T6 ALUM.
9A	FEMALE CORNER (#715A)	6061-T6 ALUM.
10	ALUMINUM ANGLE CLOSER (1-1/2" X 1-1/2")	6063-T5 ALUM.
11	ANCHOR (SEE ANCHOR SCHEDULE)	STEEL
12	FEMALE MULLION (#705)	6061-T6 ALUM.
12A	FEMALE MULLION (#705A)	6061-T6 ALUM.
13	MALE MULLION (#704)	6061-T6 ALUM.
13A	MALE MULLION (#704A)	6061-T6 ALUM.
14	MULLION ADAPTOR (#725)	6061-T6 ALUM.
15	GLASS POCKET FILLER (#711)	6063-T5 ALUM.
16	ASSEMBLY SCREW #8-18 X 1" PH SMS	STEEL
16A	ASSEMBLY SCREW #12-18 X 1-1/2" PH SMS	STEEL
17	ALUM. CLOSER .060 ALUM. BREAKMETAL	6063-T5 ALUM.
18	ALUM. CORNER .060 ALUM. BREAKMETAL	6063-T5 ALUM.
19	TOP TWIN SPAN (#712)	6063-T5 ALUM.
19A	TOP TWIN SPAN (#712A)	6063-T5 ALUM.
20	BOTTOM TWIN SPAN (#713)	6063-T5 ALUM.
21	SPLICE 4" X 6-1/2" X 1/4"	6061-T6 ALUM.
22	SPACER GASKET INTERIOR (GK004) TREMCO SCR-900 70 DUROMETER	EPDM
23	SPACER GASKET INTERIOR (GK003) TREMCO SCR-900 70 DUROMETER	EPDM
24	WEDGE GASKET EXTERIOR (GK005) TREMCO SCR-900 70 DUROMETER	EPDM
25	SEALANT DOW 995 OR DOW 983	SILICONE
26	SETTING BLOCK 3/8" X 5/8" X 4" FOR 9/16" GLASS	EPDM / SILICONE
26A	SETTING BLOCK 3/8" X 1-1/4" X 4" FOR 1-5/16" GLASS	EPDM / SILICONE
26B	CLOSER BLOCK 1-3/4" X 1" CLOSED CELL FOAM	FOAM
27	DEAD LOAD ANCHOR CLIP 4" X 5" X 4-1/2" X 1/4"	STEEL
27A	DEAD LOAD ANCHOR CLIP 6-1/4" X 4-1/2" X 1/4" @ 45°	STEEL
28	SETTING BLOCK 1/8" X 1-1/4" X 4" FOR 1-5/16" HORIZONTAL BUTT GLASS	EPDM / SILICONE
28A	SETTING BLOCK 1/8" X 5/8" X 4" FOR 9/16" HORIZONTAL BUTT GLASS	EPDM / SILICONE
29	NYLON SLIP PAD 3-1/2" X 4-1/2" X .625"	NYLON
30	BACKER ROD CLOSED CELL EXTRUDED FOAM	FOAM
31	SEALANT DOW 983 OR DOW 795	SILICONE

Approved as complying with the Florida Building Code  
 Date: **08/19/2010**  
 NO. **08-1262-D**  
 Miami Dade Product Control  
 By: *Mauro DePaola*

Documents Prepared By:  
**RW** BUILDING CONSULTANTS, INC.  
 P.O. Box 230 Valrico FL 33595  
 Phone No.: 813.659.9197  
 Florida Board of Professional Engineers  
 Certificate of Authorization No. 9813  
*Ryan J. King* 9-8-10  
 Ryan J. King, P.E./No. 64619

BILL OF MATERIALS		
ITEM	DESCRIPTION	MATERIAL
31A	SEALANT DOW 795	SILICONE
32	5/8"-11 X 4-1/2" GR5 BOLT W/ NUT & LOCK WASHER	STEEL
32A	5/8"-11 X 2.5" GR5 BOLT W/ NUT & LOCK WASHER	STEEL
33	GLAZING SPACER AT INSULATED GLASS	ALUM. OR S.S.
34	5/16"-18 X 3/4" HH GR5 BOLT	STEEL
35	1/4" X 3" ST. HOT ROLLED FLAT BAR PRIMER FINISH (ASTM A588)	STEEL
36	1/4" X 4" ST. HOT ROLLED FLAT BAR PRIMER FINISH (ASTM A588)	STEEL
36A	1/8" X 4" ST. HOT ROLLED FLAT BAR PRIMER FINISH (ASTM A588)	STEEL
36B	1/2" X 3-1/2" ST. HOT ROLLED FLAT BAR PRIMER FINISH @ DOOR JAMB (ASTM A588)	STEEL
37	PLASTIC CLIPS	PLASTIC
38A	FACE COVER	6063-T5 ALUM.
38B	FACE COVER	6063-T5 ALUM.
38C	FACE COVER	6063-T5 ALUM.
38D	FACE COVER	6063-T5 ALUM.
38E	FACE COVER	6063-T5 ALUM.
38F	FACE COVER	6063-T5 ALUM.
38G	FACE COVER	6063-T5 ALUM.
38H	FACE COVER	6063-T5 ALUM.
38I	FACE COVER	6063-T5 ALUM.
38J	FACE COVER	6063-T5 ALUM.
38K	FACE COVER	6063-T5 ALUM.
38L	FACE COVER	6063-T5 ALUM.
38M	FACE COVER	6063-T5 ALUM.
39	#10-16 X 1" HH. TEK	STEEL
40	#10-16 X 5/8" HH. TEK	STEEL
41	1/8" X 2" X 11-3/4" STEEL ANGLE CLIP W/ ZINCROMATE PAINTED	STEEL

PRODUCT:	WEST TAMPA GLASS SERIES WTG-700	
PART OR ASSEMBLY:	BILL OF MATERIALS	
REVISED PER DATE	COMMENTS	
2	7/20/10	LFS
1	5/03/10	JK
NO.	DATE	BY
REVISIONS		
DATE:	7/1/09	
SCALE:	N.T.S.	
DWG. BY:	AL	
CHK. BY:	LFS	
DRAWING NO.:	S-4088	
SHEET	18 OF 18	