



**MIAMI-DADE COUNTY**  
**BUILDING CODE COMPLIANCE OFFICE (BCCO)**  
**PRODUCT CONTROL DIVISION**

**MIAMI-DADE COUNTY, FLORIDA**  
**METRO-DADE FLAGLER BUILDING**  
**140 WEST FLAGLER STREET, SUITE 1603**  
**MIAMI, FLORIDA 33130-1563**  
**(305) 375-2901 FAX (305) 372-6339**

**NOTICE OF ACCEPTANCE (NOA)**

**[www.miamidade.gov/buildingcode](http://www.miamidade.gov/buildingcode)**

**West Tampa Glass Company**  
**2705 North 35<sup>th</sup> Street**  
**Tampa, FL 33605**

**SCOPE:**

This NOA is being issued under the applicable rules and regulations governing the use of construction materials. The documentation submitted has been reviewed by Miami-Dade County Product Control Division and accepted by the Board of Rules and Appeals (BORA) to be used in Miami Dade County and other areas where allowed by the Authority Having Jurisdiction (AHJ).

This NOA shall not be valid after the expiration date stated below. The Miami-Dade County Product Control Division (In Miami Dade County) and/or the AHJ (in areas other than Miami Dade County) reserve the right to have this product or material tested for quality assurance purposes. If this product or material fails to perform in the accepted manner, the manufacturer will incur the expense of such testing and the AHJ may immediately revoke, modify, or suspend the use of such product or material within their jurisdiction. BORA reserves the right to revoke this acceptance, if it is determined by Miami-Dade County Product Control Division that this product or material fails to meet the requirements of the applicable building code. This product is approved as described herein, and has been designed to comply with the Florida Building Code, including the High Velocity Hurricane Zone.

**DESCRIPTION: Series "WTG-500" Aluminum Curtain Wall System – S.M.I.**

**APPROVAL DOCUMENT:** Drawing No. **S-4086**, titled "West Tampa Glass – Series WTG-500", sheets 1 through 13 of 13, dated 07/08/09 with revision #1 dated 04/22/10, prepared by RW Building Consultant, signed and sealed by Ryan J. King, P.E., bearing the Miami-Dade County Product Control Approval stamp with the Notice of Acceptance number and approval date by the Miami-Dade County Product Control Division.

**MISSILE IMPACT RATING: Small Missile Impact Resistant**

**LABELING:** Each unit shall bear a permanent label with the manufacturer's name or logo, city, state and following statement: "Miami-Dade County Product Control Approved", unless otherwise noted herein.

**RENEWAL** of this NOA shall be considered after a renewal application has been filed and there has been no change in the applicable building code negatively affecting the performance of this product.

**TERMINATION** of this NOA will occur after the expiration date or if there has been a revision or change in the materials, use, and/or manufacture of the product or process. Misuse of this NOA as an endorsement of any product, for sales, advertising or any other purposes shall automatically terminate this NOA. Failure to comply with any section of this NOA shall be cause for termination and removal of NOA.

**ADVERTISEMENT:** The NOA number preceded by the words Miami-Dade County, Florida, and followed by the expiration date may be displayed in advertising literature. If any portion of the NOA is displayed, then it shall be done in its entirety.

**INSPECTION:** A copy of this entire NOA shall be provided to the user by the manufacturer or its distributors and shall be available for inspection at the job site at the request of the Building Official.

This NOA consists of this page 1 and evidence pages E-1 and E-2, as well as approval document mentioned above.

The submitted documentation was reviewed by **Manuel Perez, P.E.**



**NOA No. 09-1202.06**  
**Expiration Date: October 06, 2015**  
**Approval Date: October 06, 2010**

West Tampa Glass Company

NOTICE OF ACCEPTANCE: EVIDENCE SUBMITTED

**A. DRAWINGS**

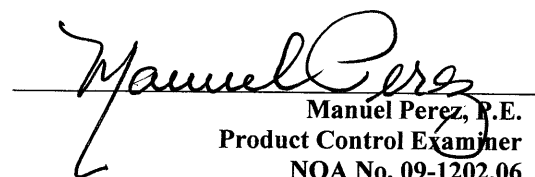
1. Manufacturer's die drawings and sections.
2. Drawing No **S-4086**, Sheets 1 through 13 of 13, titled "West Tampa Glass - Series WTG-500", dated 07/08/09 with revision #1 dated 04/22/10, prepared by RW Building Consultants, Inc., signed and sealed by Ryan J. King, P.E.

**B. TESTS**

1. Test reports on:
  - 1) Air Infiltration Test, per FBC, TAS 202-94
  - 2) Uniform Static Air Pressure Test, Loading per FBC TAS 202-94
  - 3) Water Resistance Test, per FBC, TAS 202-94
  - 4) Small Missile Impact Test per FBC, TAS 201-94
  - 5) Large Missile Impact Test per FBC, TAS 201-94
  - 6) Cyclic Wind Pressure Loading per FBC, TAS 203-94along with marked-up drawings and installation diagram of WTG-500 and WTG-700 aluminum curtain wall systems, Series **WTG-500** specimens: #1, 2, 3, **4, 5**, and **6** and Series **WTG-700** specimens: 1, 3, 6, 7, 9, 11, 15, 17, 19, 21, 23, 23A, 25, 27, 32, **2, 4, 5, 8, 10, 12, 16, 18, 22, 24A, 26, 28, 33**, prepared by Testing Evaluation Laboratories, Inc. Test Report No. **TEL-08-01490001**, dated 01/02/08, signed and sealed by Wendell W. Haney, P.E.
2. Test reports on:
  - 1) Air Infiltration Test, per FBC, TAS 202-94
  - 2) Uniform Static Air Pressure Test, Loading per FBC TAS 202-94
  - 3) Water Resistance Test, per FBC, TAS 202-94
  - 4) Small Missile Impact Test per FBC, TAS 201-94
  - 5) Large Missile Impact Test per FBC, TAS 201-94
  - 6) Cyclic Wind Pressure Loading per FBC, TAS 203-94along with marked-up drawings and installation diagram of WTG-500 and WTG-700 aluminum curtain wall systems, Series **WTG-500** specimens: #40 and 42 and Series **WTG-700** specimens: #36, 37, 39, **36a, 37a, 38, 39a, 41 and 43**, prepared by Testing Evaluation Laboratories, Inc. Test Report No. **TEL-01490139**, dated 08/26/09, signed and sealed by Lyndon F. Schmidt, P.E.

**C. CALCULATIONS**

1. Anchor verification calculations and structural analysis, complying with FBC-2007, prepared by RW Building Consultants, Inc., dated 08/01/09, 05/16/10 and 07/28/10, signed and sealed by Ryan J. King, P.E.  
**Complies with ASTM E1300-04**

  
Manuel Perez, P.E.  
Product Control Examiner  
NOA No. 09-1202.06  
Expiration Date: October 06, 2015  
Approval Date: October 06, 2010

West Tampa Glass Company

NOTICE OF ACCEPTANCE: EVIDENCE SUBMITTED

**D. QUALITY ASSURANCE**

1. Miami Dade Building Code Compliance Office (BCCO).

**E. MATERIAL CERTIFICATIONS**

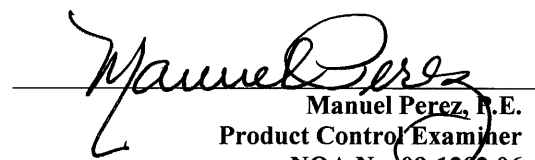
1. Notice of Acceptance No. **07-1116.04** issued to E.I. DuPont DeNemours & Co., Inc. for their "**DuPont Sentry Glass ® Plus**" dated 01/03/08, expiring on 01/14/12.
2. Notice of Acceptance No. **06-0216.06** issued to **Solutia, Inc.** for their "**Saflex III G Clear or colored Interlayer**" dated 05/04/06, expiring on 05/21/11.

**F. STATEMENTS**

1. Statement letter of conformance and no financial interest, dated May 10, 2010, signed and sealed by Ryan J. King, P.E.

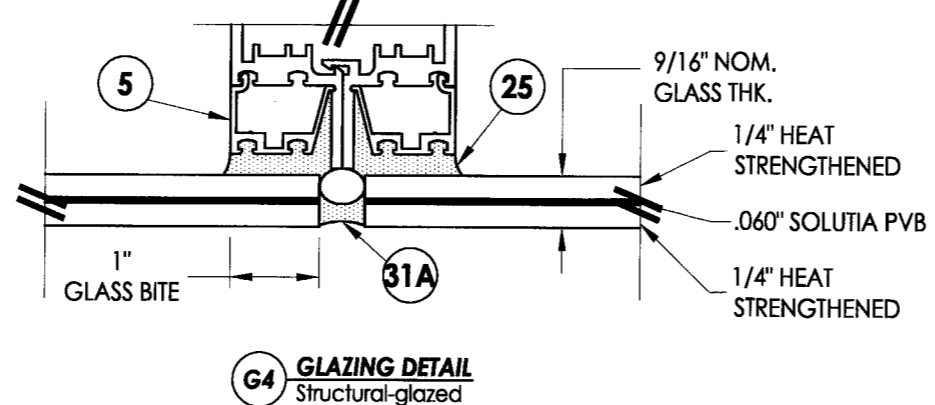
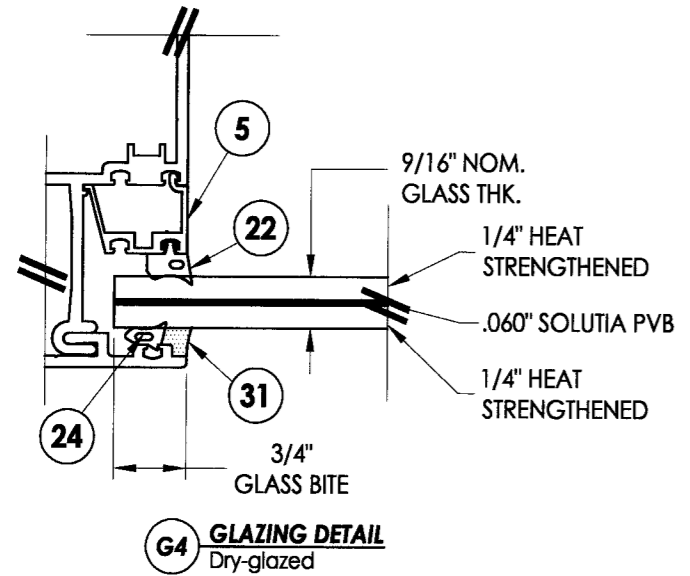
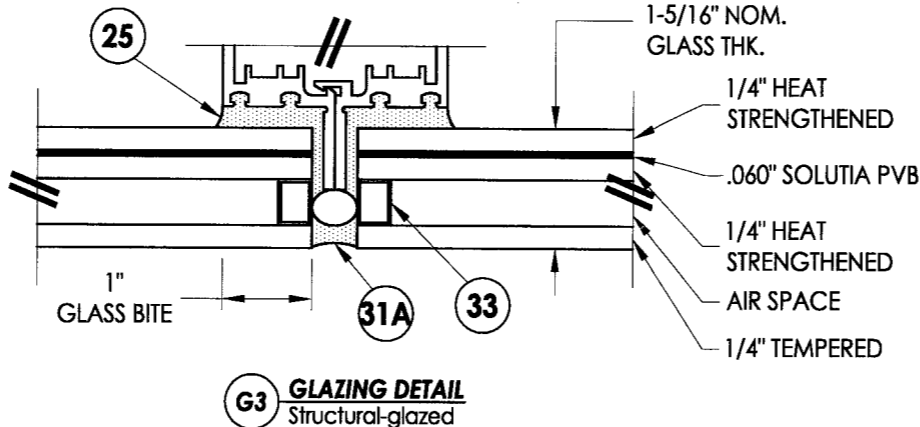
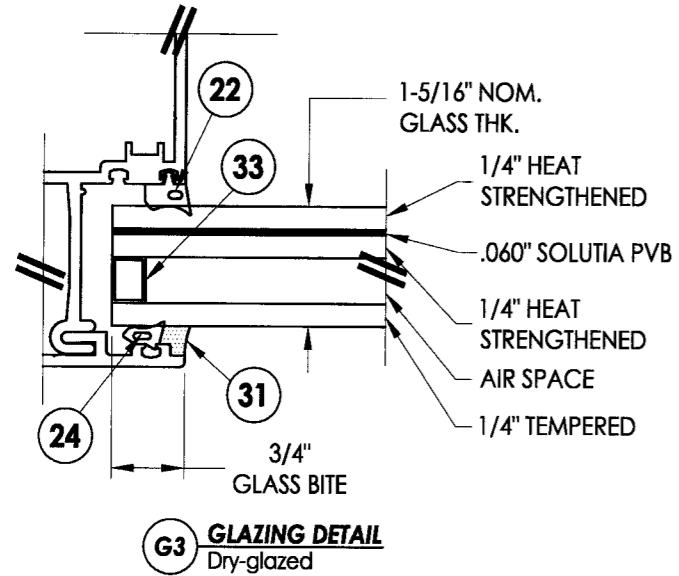
**G. OTHERS**

1. None.

  
Manuel Perez, P.E.  
Product Control Examiner  
NOA No. ~~09-1202.06~~  
Expiration Date: October 06, 2015  
Approval Date: October 06, 2010



R:\A - Projects\Project Folders\proj 1401-1500\PF 1478\D. RWBC Drawings\WTG-500\S-4086\S-4086.dwg, -2-2



**GENERAL NOTES**

1. This product has been evaluated and is in compliance with the 2007 Florida Building Code (FBC) structural requirements including the "High Velocity Hurricane Zone" (HVHZ).
2. Product anchors shall be as listed and spaced as shown on details.
3. When used in the "HVHZ", for installations above 30 feet above grade, this product complies with Section 1626 of the Florida Building Code as a small missile impact resistant product and does not require an impact resistant covering. For installations 30 feet or less above grade, this product must be protected with an impact resistant covering that complies with Section 1626 of the Florida Building Code.
4. When used in areas outside of the "HVHZ" requiring wind borne debris protection, for installations above 30 feet above grade, this product complies with Section 1626 of the 2007 FBC as a small missile impact resistant product and does not require an impact resistant covering (This product meets missile level "A" and includes Wind Zone 4 as defined in ASTM E1996). For installations 30 feet or less above grade, this product must be protected with an impact resistant covering that complies with Section 1609.1.2 of the Florida Building Code.
5. Site conditions and system reinforcement that deviate from the details of this drawing require further engineering analysis by a licensed engineer or registered architect.
6. This product meets water infiltration requirements for "HVHZ". (Tested per ASTM E331 @ 20.0 PSF positive pressure).
7. For design pressure rating see chart sheet 1.
8. All steel in contact with aluminum to be painted or plated.
9. Elevation shown is for illustration only. Window wall may be constructed with an unlimited width and in any combination of units/glazing shown provided the limits for max. panel height, width and D.L.O. are maintained. Mid-rail joints may be installed at any height.

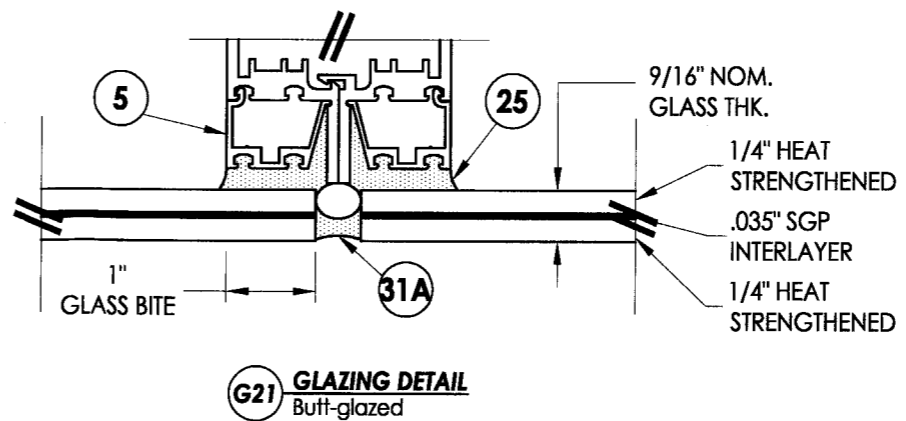
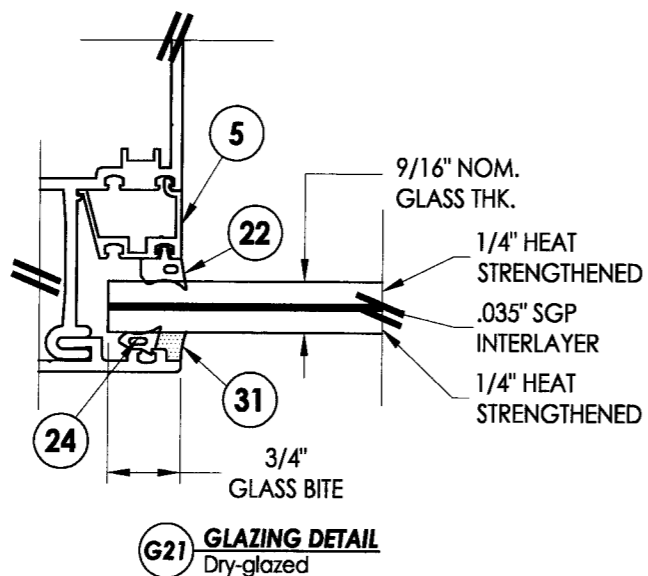
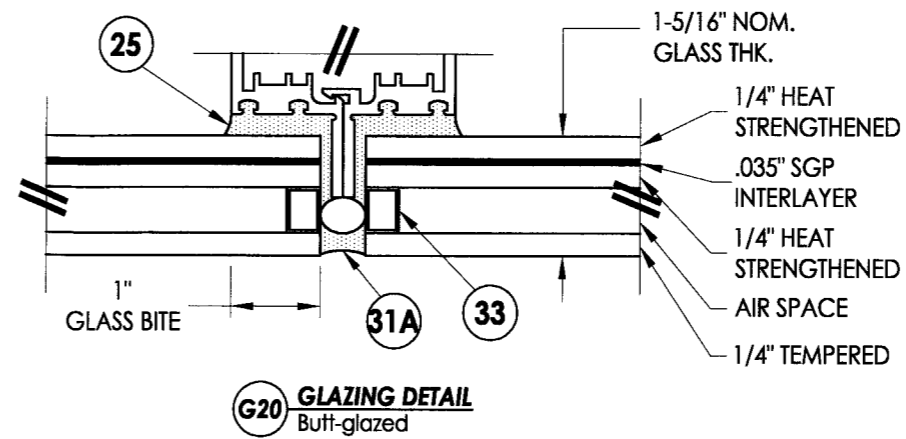
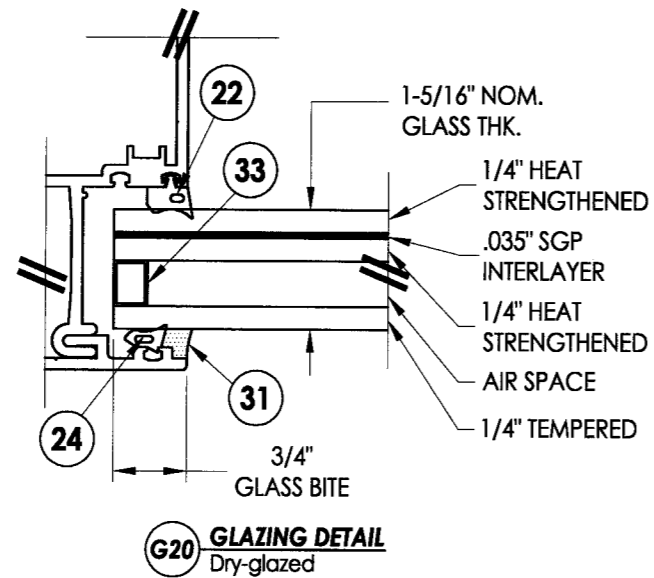
- NOTES:**
1. Head, sill & horizontal glazing details are similar to jamb details shown.
  2. See sheets 9 & 10 for face cover option details.

Approved as complying with the Florida Building Code  
 Date 09.6.2010  
 NO. 09-1202.06  
 Miami Dade Product Control Division  
 By *Maureen Pera*

|              |          |
|--------------|----------|
| DATE:        | 07/08/09 |
| SCALE:       | N.T.S.   |
| DWG. BY:     | DWS      |
| CHK. BY:     | LFS      |
| DRAWING NO.: | S-4086   |
| SHEET        | 2 of 13  |

Documents Prepared By:  
**RW** BUILDING CONSULTANTS, INC.  
 P.O. Box 230 Valrico FL, 33595  
 Phone No.: 813.659.9197  
 Florida Board of Professional Engineers  
 Certificate of Authorization No. 9813  
*Maureen Pera* 7-2-09  
 Ryan J. King, P.E. No. 64619

|                   |                                    |      |         |             |               |    |    |
|-------------------|------------------------------------|------|---------|-------------|---------------|----|----|
| PRODUCT:          | WEST TAMPA GLASS<br>SERIES WTG-500 |      |         |             |               |    |    |
| PART OR ASSEMBLY: | GENERAL NOTES &<br>GLAZING DETAILS |      |         |             |               |    |    |
| NO.               | 1                                  | DATE | 4/22/10 | REVISED PER | DADE COMMENTS | BY | JK |
| REVISIONS         |                                    |      |         |             |               |    |    |



**NOTES:**

1. Head, sill & horizontal glazing details are similar to jamb details shown.
2. See sheets 9 & 10 for face cover option details.

Approved as complying with the Florida Building Code  
 Date: Oct 6, 2010  
 NOA# 09-1202.06  
 Miami Dade Product Control Division  
 By: Maurice Perry

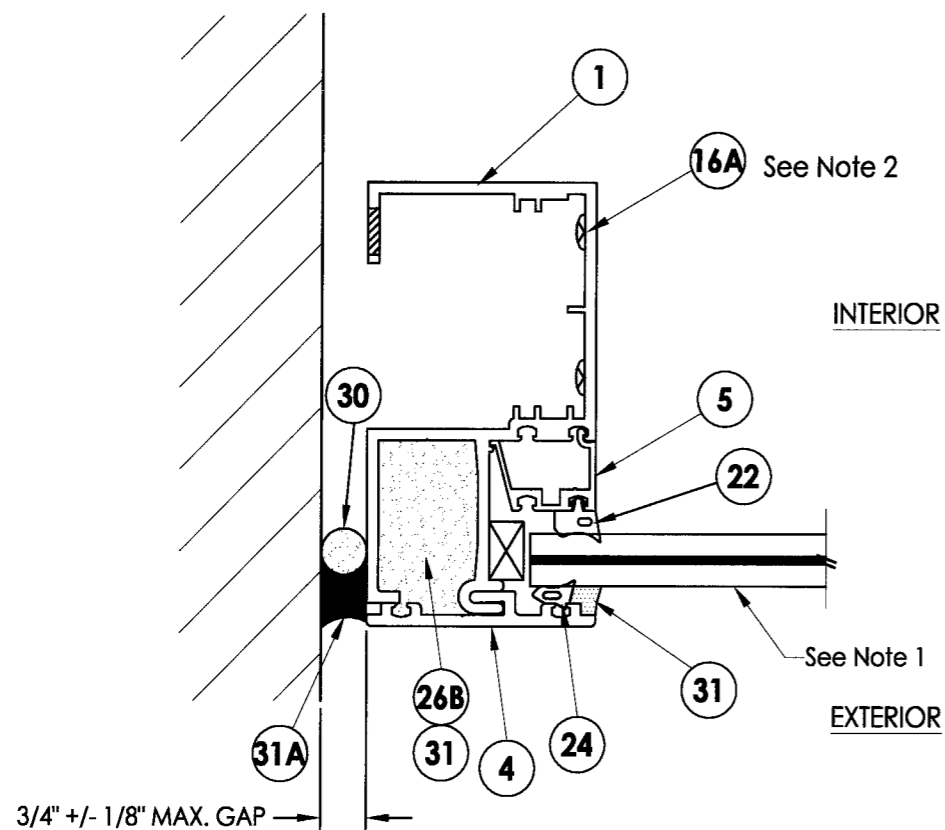
DATE: 07/08/09  
 SCALE: N.T.S.  
 DWG. BY: DWS  
 CHK. BY: LFS  
 DRAWING NO.: S-4086  
 SHEET 3 of 13

PRODUCT: WEST TAMPA GLASS SERIES WTG-500  
 PART OR ASSEMBLY: GLAZING DETAILS

| NO. | DATE    | REVISED PER | DADE | COMMENTS | JK | BY |
|-----|---------|-------------|------|----------|----|----|
| 1   | 4/22/10 |             |      |          |    |    |

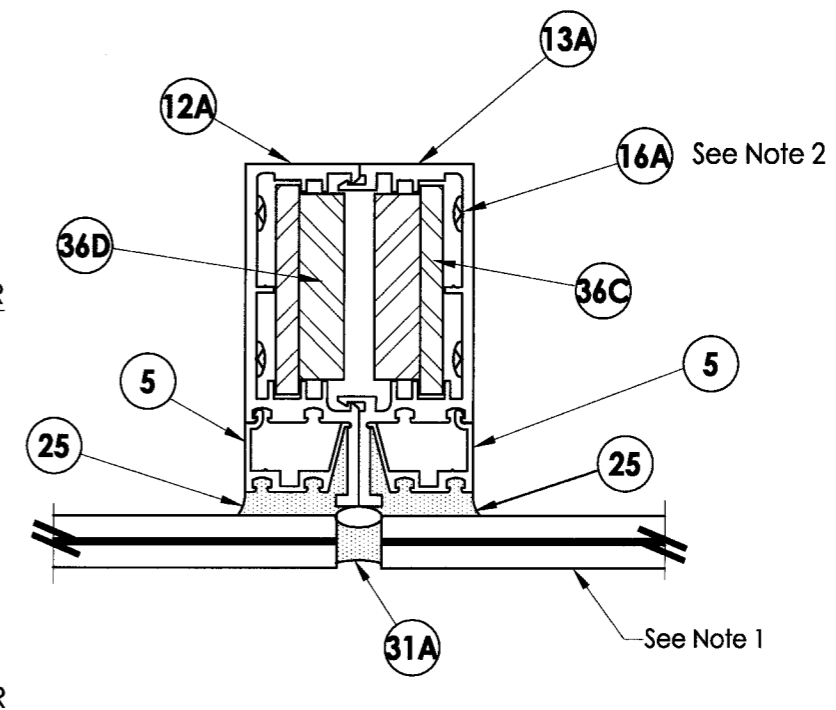
Documents Prepared By:  
**RW** BUILDING CONSULTANTS, INC.  
 P.O. Box 230 Valrico FL, 33595  
 Phone No.: 813.659.9197  
 Florida Board of Professional Engineers  
 Certificate Of Authorization, No. 8813  
 Ryan J. King, P.E. 64568  
 7-28-10

R:\A - Projects\Project Folders\proj 1401-1500\PF 1478\D. RWBC Drawings\WTG-500\S-4086.dwg, 2-4



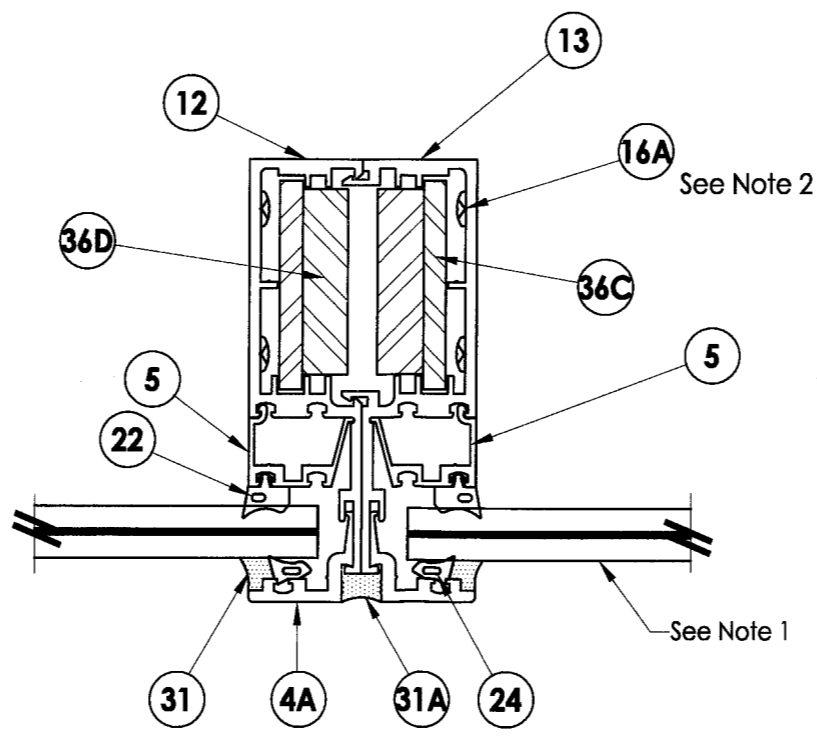
**1 HORIZONTAL CROSS SECTION**  
**4** Jamb Detail  
 Dry Glazed Option

Total Ix (Aluminum) = 4.06 in.<sup>4</sup>



**3 HORIZONTAL CROSS SECTION**  
**4** Intermediate Vertical Mullion Detail  
 Structural Glazed Option

Total Ix (Aluminum) = 6.71 in.<sup>4</sup>



**2 HORIZONTAL CROSS SECTION**  
**4** Intermediate Vertical Mullion Detail  
 Dry Glazed Option

Total Ix (Aluminum) = 7.43 in.<sup>4</sup>

| Material Properties Chart |      |                       |                       |
|---------------------------|------|-----------------------|-----------------------|
| MATERIAL                  | ITEM | Sx (in <sup>3</sup> ) | Ix (in <sup>4</sup> ) |
| Aluminum                  | 1    | 1.628                 | 4.067                 |
|                           | 12   | 0.720                 | 1.851                 |
|                           | 12A  | 0.524                 | 1.439                 |
|                           | 13   | 0.685                 | 1.735                 |
|                           | 13A  | 0.491                 | 1.335                 |
| Steel                     | 36C  | 1.933                 | 3.867                 |
|                           | 36D  | 0.967                 | 1.933                 |

NOTES:

- See sheets 2 & 3 for glazing option details and sheets 9 & 10 for face cover option details.
- Attach the head, sill and intermediate horizontal to the jambs/mullions w/ (3) item 16A at each end. See corner connection detail on sheet 6.

Approved as complying with the Florida Building Code  
 Date: Oct 6, 2010  
 NOA# 09-1202-06  
 Manual Date Product Control  
 By: Manuel Perez

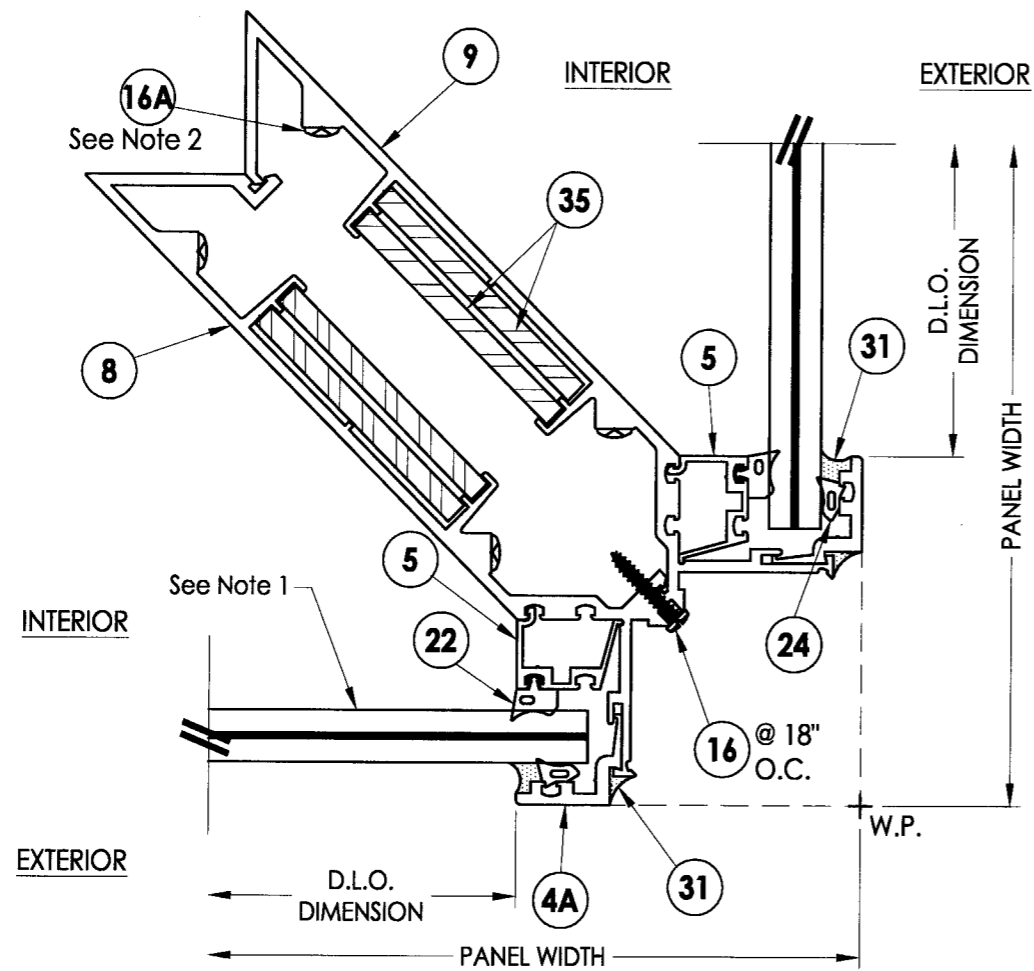
DATE: 07/08/09  
 SCALE: N.T.S.  
 DWG. BY: DWS  
 CHK. BY: LFS  
 DRAWING NO.: S-4086  
 SHEET 4 OF 13

Documents Prepared By:  
 RW BUILDING CONSULTANTS, INC.  
 P.O. Box 230 Valrico FL 33595  
 Phone No.: 813.659.9197  
 Florida Board of Professional Engineers  
 Certificate Of Authorization No. 9813  
 Ryan J. King, P.E. No. 64619

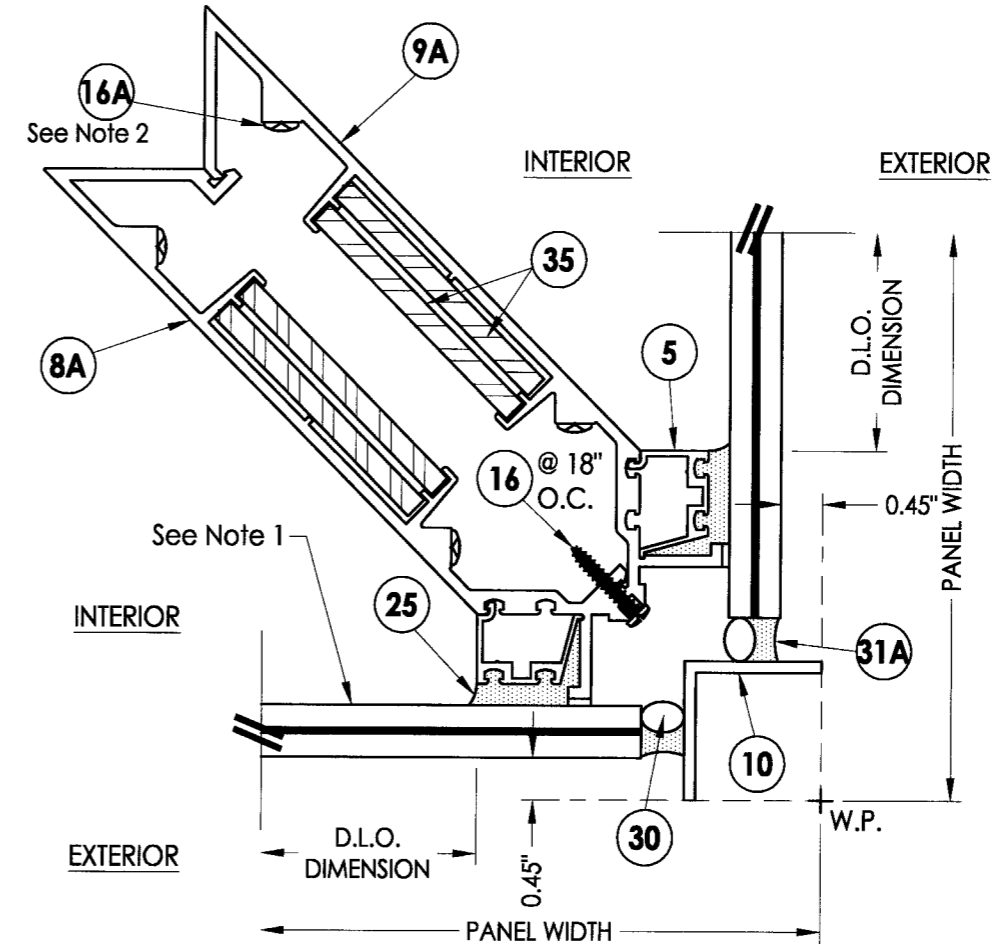
PRODUCT: WEST TAMPA GLASS SERIES WTG-500  
 PART OR ASSEMBLY: HORIZONTAL CROSS SECTIONS

| NO. | DATE    | REVISED PER | COMMENTS |
|-----|---------|-------------|----------|
| 1   | 4/22/10 | JK          | BY       |

R:\A - Projects\Project Folders\proj\_1401-1500\PE 1478\1.D\_BWBC Drawings\WTC-500\S-4086.dwg 2-5



**1 HORIZONTAL CROSS SECTION**  
**5 Exterior 90 deg. Corner Mullion Detail w/ Trim Dry Glazed Option**



**2 HORIZONTAL CROSS SECTION**  
**5 Exterior 90 deg. Corner Mullion Detail w/o Trim Structural Glazed Option**

- NOTES:
- See sheets 2 & 3 for glazing option details and sheets 9 & 10 for face cover option details.
  - Attach the head, sill and intermediate horizontal to the jambs/mullions w/ (3) item 16A at each end. See corner connection detail on sheet 6.

Approved as complying with the Florida Building Code  
 Date: Oct 6, 2010  
 NOAH 09-1202.06  
 Miami Dade Product Control Division  
 By: *Maurice Perez*

DATE: 07/08/09  
 SCALE: N.T.S.  
 DWG. BY: DWS  
 CHK. BY: LFS  
 DRAWING NO.: S-4086  
 SHEET 5 OF 13

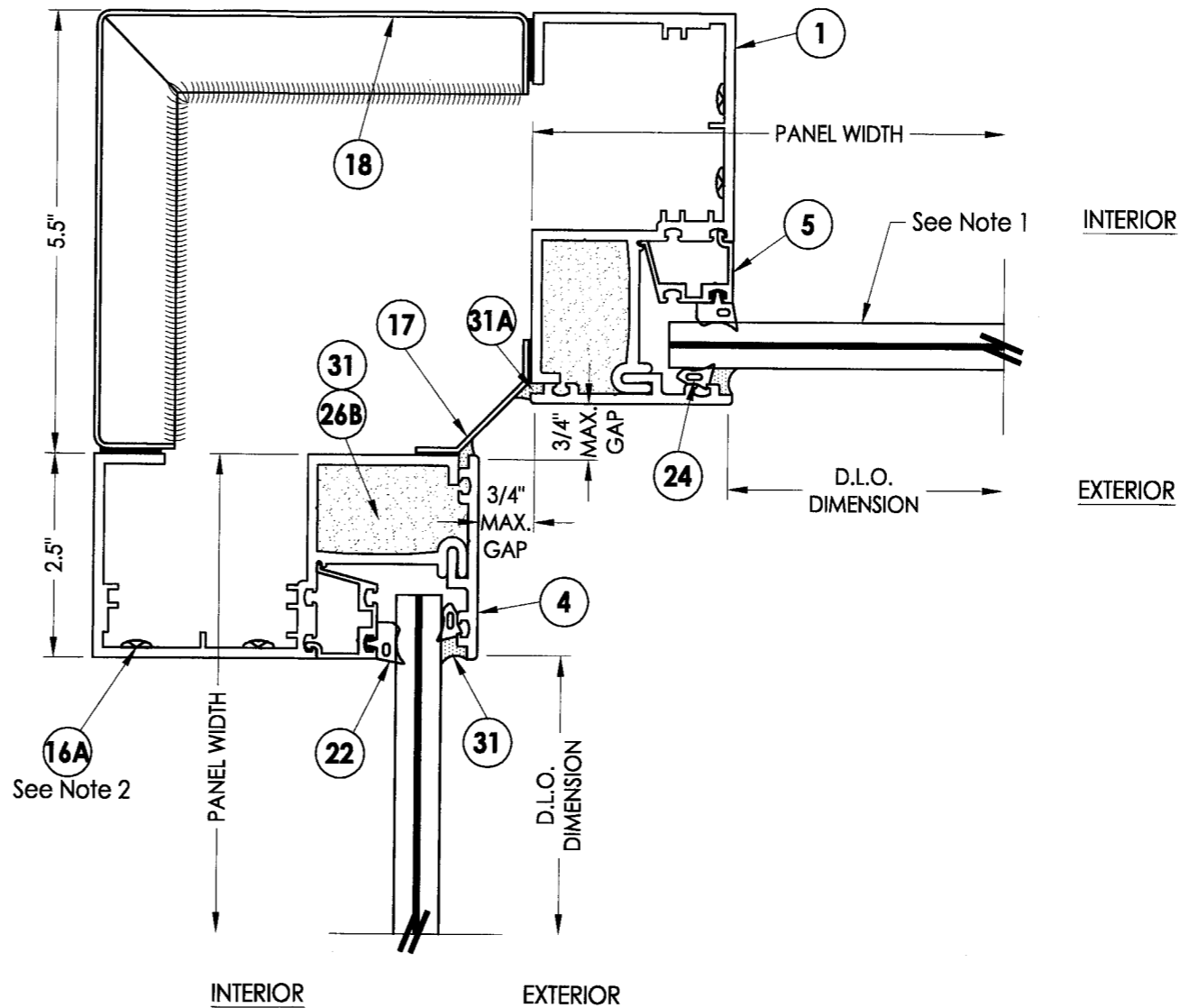
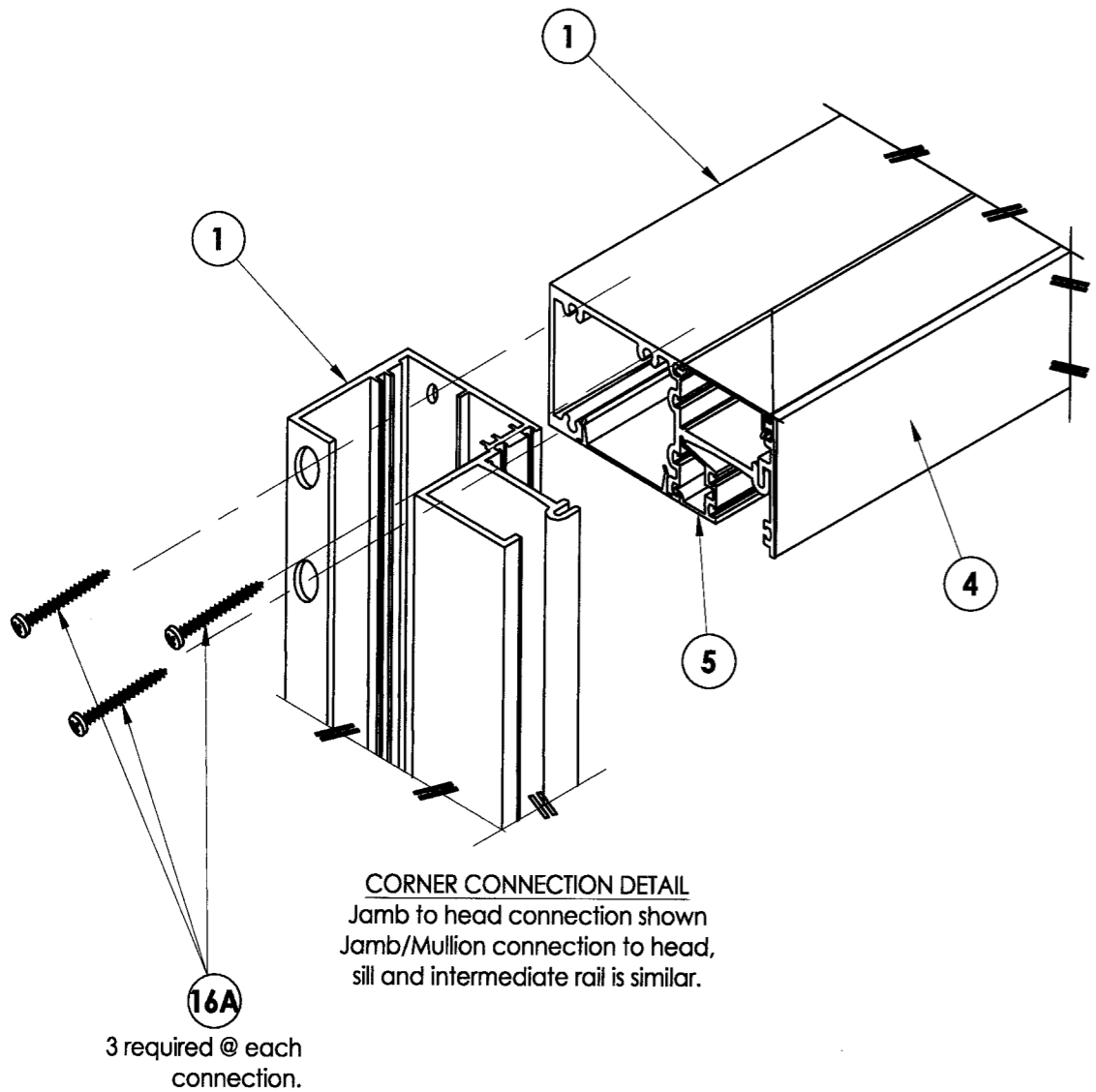
Documents Prepared By: *RW* BUILDING CONSULTANTS, INC.  
 P.O. Box 230 Valrico FL 33595  
 Phone No.: 813.659.9197  
 Florida Board of Professional Engineers  
 Certificate of Authorization No. 9813  
*Ryan J. King* Ryan J. King, P.E. No. 64619

PRODUCT: WEST TAMPA GLASS SERIES WTC-500  
 PART OR ASSEMBLY: HORIZONTAL CROSS SECTIONS

| NO. | DATE    | REVISED PER | DADE COMMENTS | JK | BY |
|-----|---------|-------------|---------------|----|----|
| 1   | 4/22/10 |             |               |    |    |

REVISIONS

© 2009 R.W. BUILDING CONSULTANTS INC.



**1 HORIZONTAL CROSS SECTION**  
**6 Interior 90 deg. Corner Mullion Detail**  
 Dry Glazed Option

**NOTES:**

- See sheets 2 & 3 for glazing option details and sheets 9 & 10 for face cover option details.
- Attach the head, sill and intermediate horizontal to the jambs/mullions w/ (3) item 16A at each end. See corner connection detail on this sheet.

Approved as complying with the  
 Florida Building Code  
 Date Oct. 6, 2010  
 NCAP 09-1202.06  
 Miami Dade Product Control  
 Design  
 By Manuel Perez

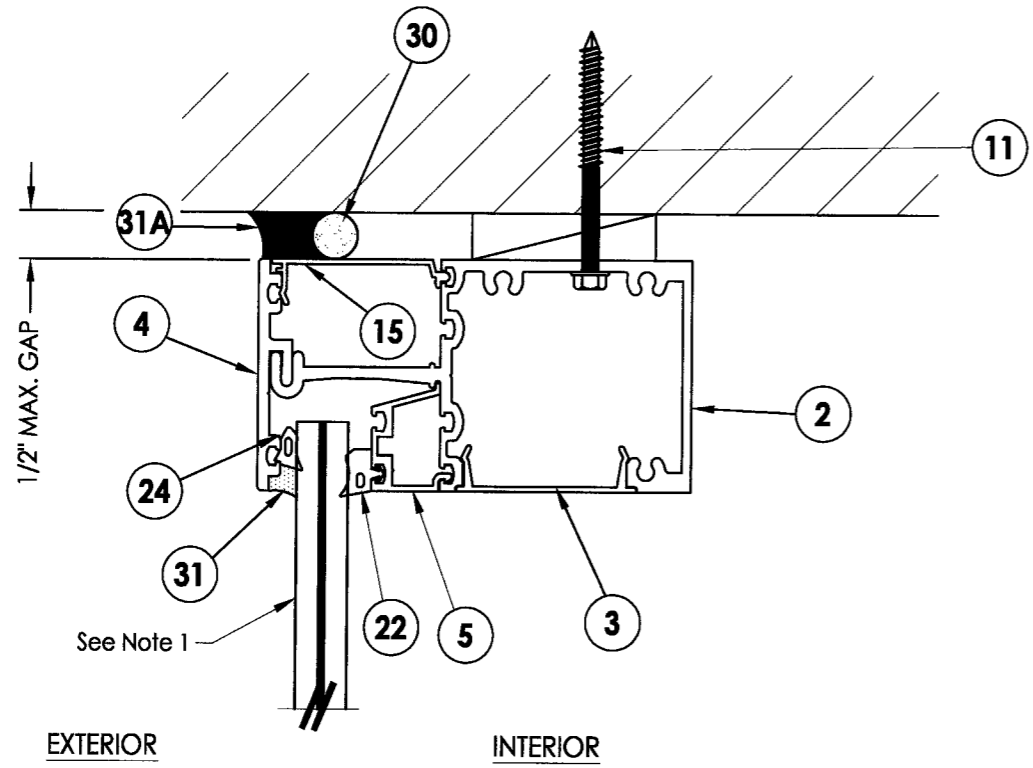
DATE: 07/08/09  
 SCALE: N.T.S.  
 DWG. BY: DWS  
 CHK. BY: LFS  
 DRAWING NO.: S-4086  
 SHEET 6 OF 13

Documents Prepared By:  
**RW** BUILDING CONSULTANTS, INC.  
 P.O. Box 230 Valrico FL 33595  
 Phone No.: 813.659.9197  
 Florida Board of Professional Engineers  
 Certificate Of Authorization No. 9813  
 Ryan J. King, P.E. No. 7-28-10  
 64619

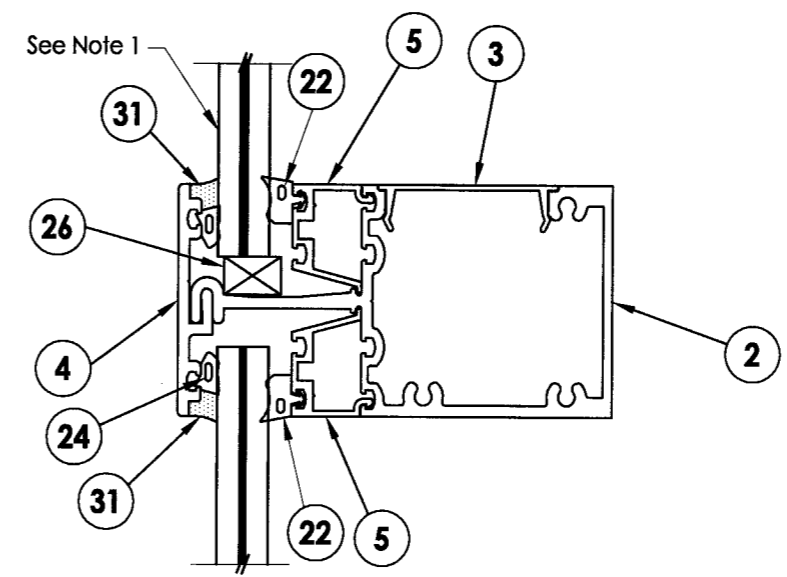
PRODUCT: WEST TAMPA GLASS  
 SERIES WTC-500  
 PART OR ASSEMBLY: HORIZONTAL CROSS SECTIONS

| NO. | DATE    | REVISED PER | DATE | COMMENTS | JK | BY |
|-----|---------|-------------|------|----------|----|----|
| 1   | 4/22/10 |             |      |          |    |    |

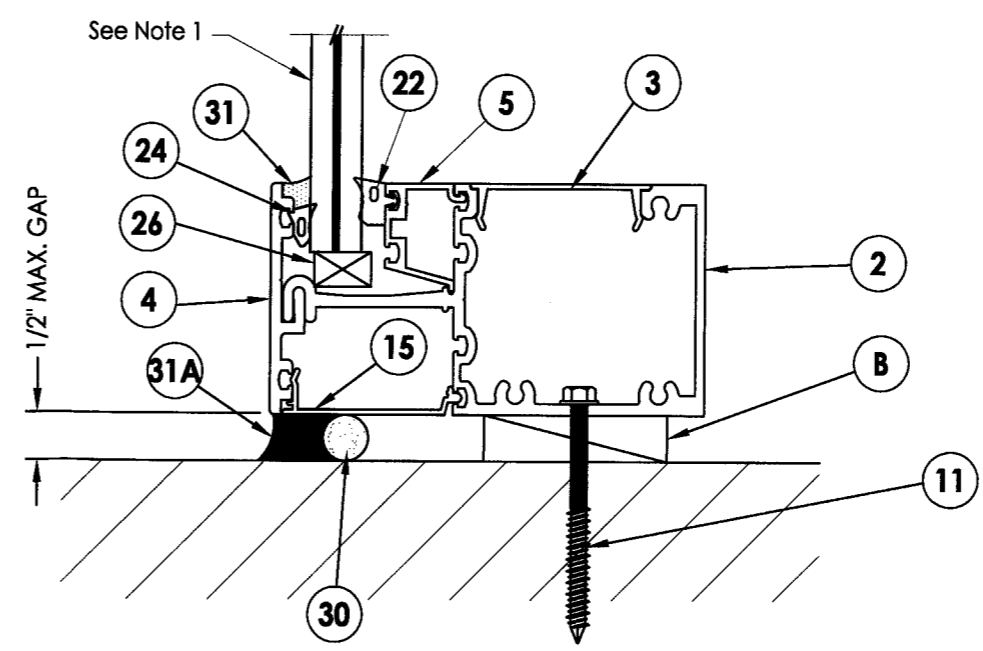
R:\A - Projects\Project Folders\proj\_1401-1500\PF\_1478\D. RWBC Drawings\WTG-500\S-4086.dwg, 2-7



**1** VERTICAL CROSS SECTION  
**7** Head Detail  
 Dry Glazed Option



**2** VERTICAL CROSS SECTION  
**7** Intermediate Horizontal Mullion Detail  
 Dry Glazed Option

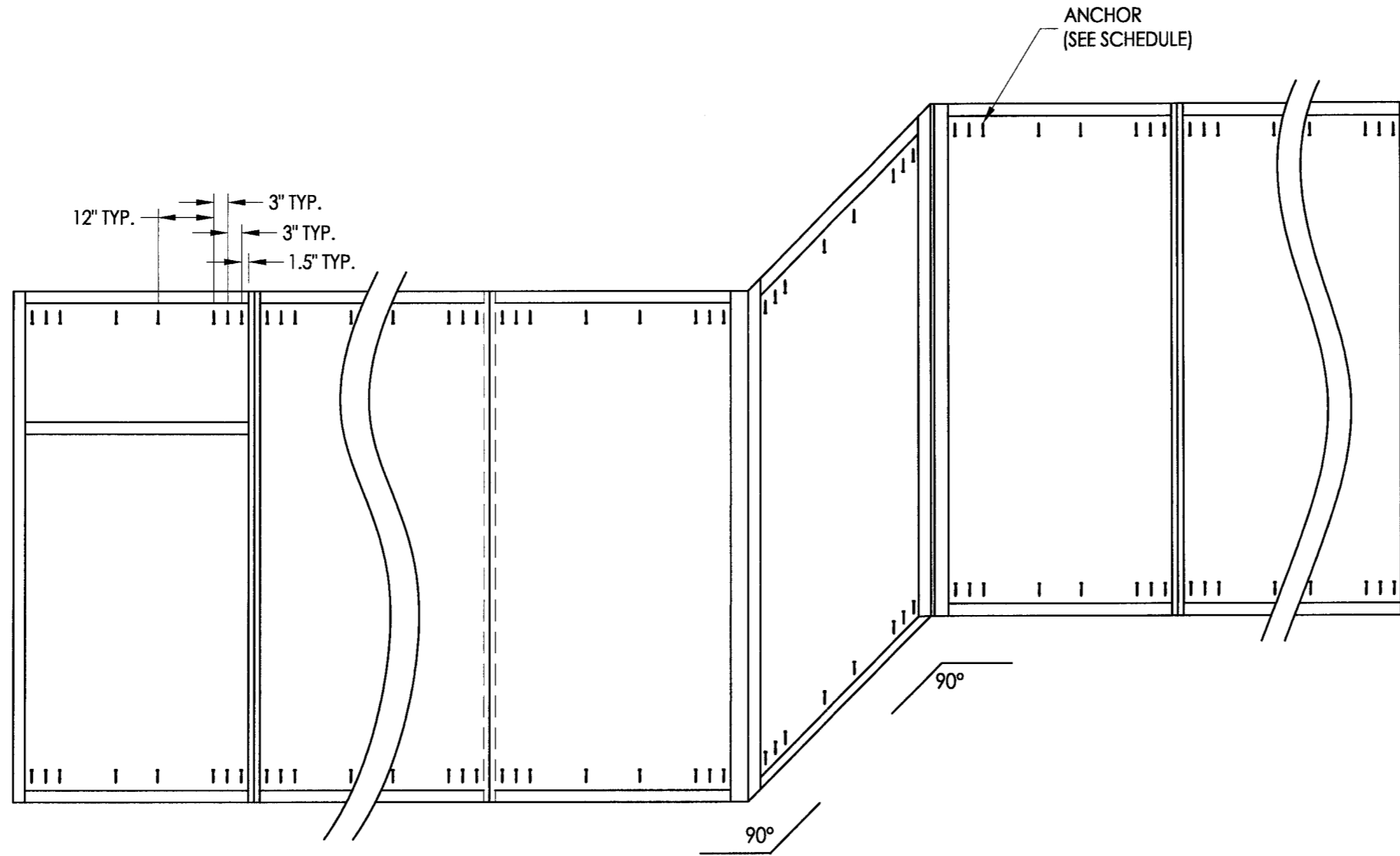


**3** VERTICAL CROSS SECTION  
**7** Sill Detail  
 Dry Glazed Option



NOTE:  
 1. See sheets 2 & 3 for glazing option details and sheets 9 & 10 for face cover option details.

Approved as complying with the Florida Building Code  
 087-9202-18  
 087-1202-86  
 Manual Code Project Control  
 By: *Manuel Cruz*

|  |  |
|--|--|
| Documents Prepared By:<br><b>RW</b> BUILDING CONSULTANTS, INC.<br>P.O. Box 230 Vairico FL 33595<br>Phone No.: 813.659.9197<br>Florida Board of Professional Engineers<br>Certificate of Authorization No. 9813<br><i>Manuel Cruz</i> 7-28-10<br>Ryan J. King, P.E. No. 64619 |  |
| PRODUCT:<br>WEST TAMPA GLASS<br>SERIES WTG-500   | PART OR ASSEMBLY:<br>VERTICAL CROSS SECTIONS |
| NO.   DATE   REVISIONS   | JK   BY                                      |
| 1   4/22/10   REVISED PER DADE COMMENTS  | JK   BY                                      |
| DATE: 07/08/09<br>SCALE: N.T.S.<br>DWG. BY: DWS<br>CHK. BY: LFS<br>DRAWING NO.: S-4086<br>SHEET 7 OF 13  |  |



**FRAME ANCHORING**

| ANCHOR SCHEDULE  |  |
|--|--|
| SUBSTRATE  | ANCHOR   |
| CONCRETE:<br> | 5/16" DIA. X 2-3/4" ITW HWH TAPCON ANCHOR WITH 2.25" MIN. EMBEDMENT,<br>2-3/16" MIN EDGE DISTANCE & 3.0" MIN. CENTERLINE DISTANCE.<br>CONCRETE CONFORMING TO ACI 301 (3,192 PSI MIN.)  |
| STEEL:<br>    | 5/16-24 X 1-1/2" HWH #4 KWIK-FLEX SELF DRILLING SCREW<br>(A MINIMUM OF 3 THREADS SHALL PROTRUDE THROUGH THE STEEL SUBSTRATE)<br>STEEL CONFORMING TO ASTM A653, .125" MIN. WALL THICKNESS<br>Fy = 33,000 PSI, Fu = 45,000 PSI |

Approved as complying with the Florida Building Code  
 Date: 07/06/2010  
 NCAP 09-1202.D6  
 Miami Dade Product Control  
 City of Miami  
 Ryan J. King, P.E. No. 4619

Documents Prepared By:

**RW** BUILDING CONSULTANTS, INC.  
 P.O. Box 230 Valrico FL 33595  
 Phone No.: 813.659.9197  
 Florida Board of Professional Engineers  
 Certificate Of Authorization No. 9813  
 Ryan J. King, P.E. No. 4619

PRODUCT: WEST TAMPA GLASS  
 SERIES WTG-500

PART OR ASSEMBLY:  
 FRAME ANCHORING

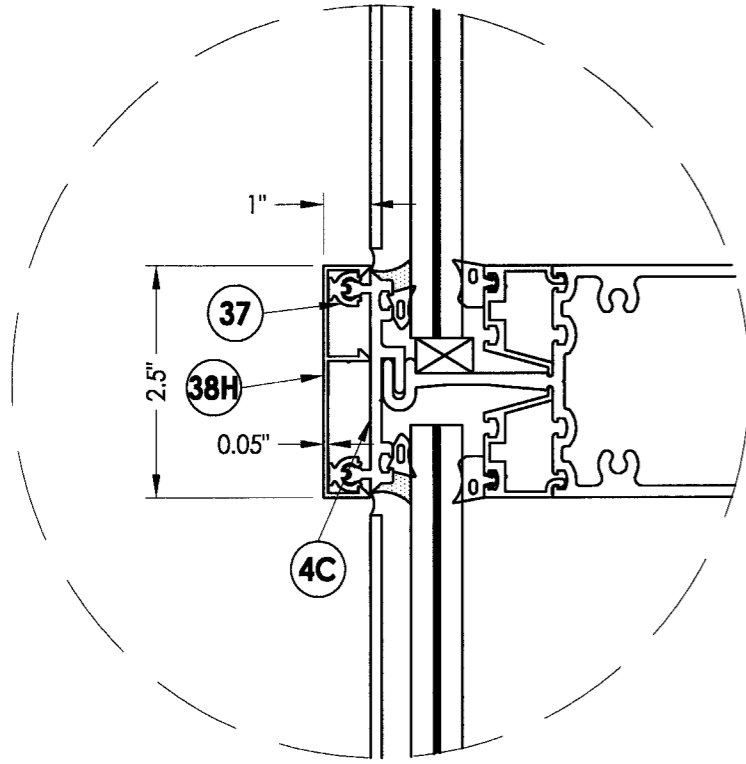
| NO. | DATE    | REVISED PER | DADE COMMENTS | JK | BY |
|-----|---------|-------------|---------------|----|----|
| 1   | 4/22/10 |             |               |    |    |

REVISIONS

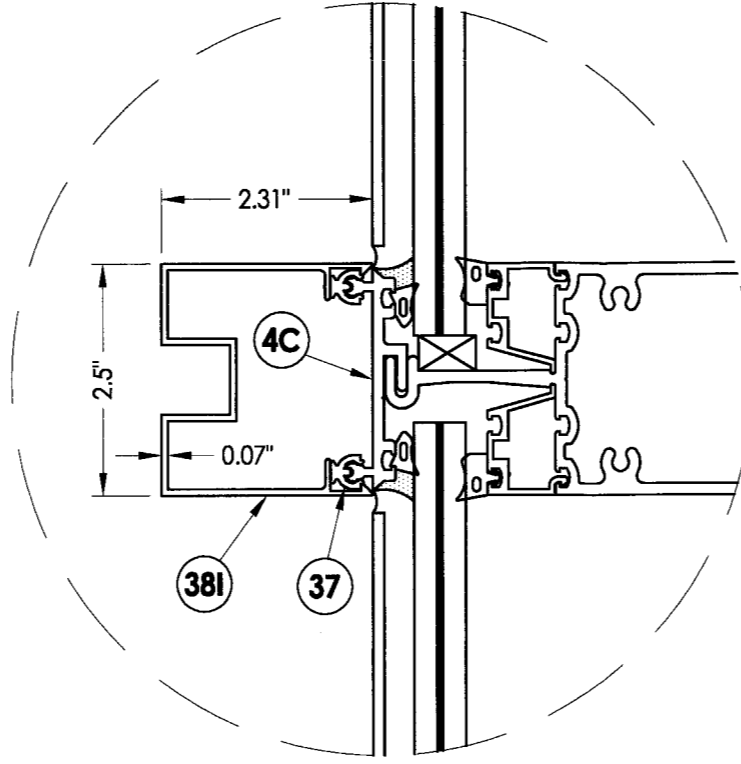
DATE: 7/08/09  
 SCALE: N.T.S.  
 DWG. BY: DWS  
 CHK. BY: LFS  
 DRAWING NO.: S-4086  
 SHEET 8 OF 13



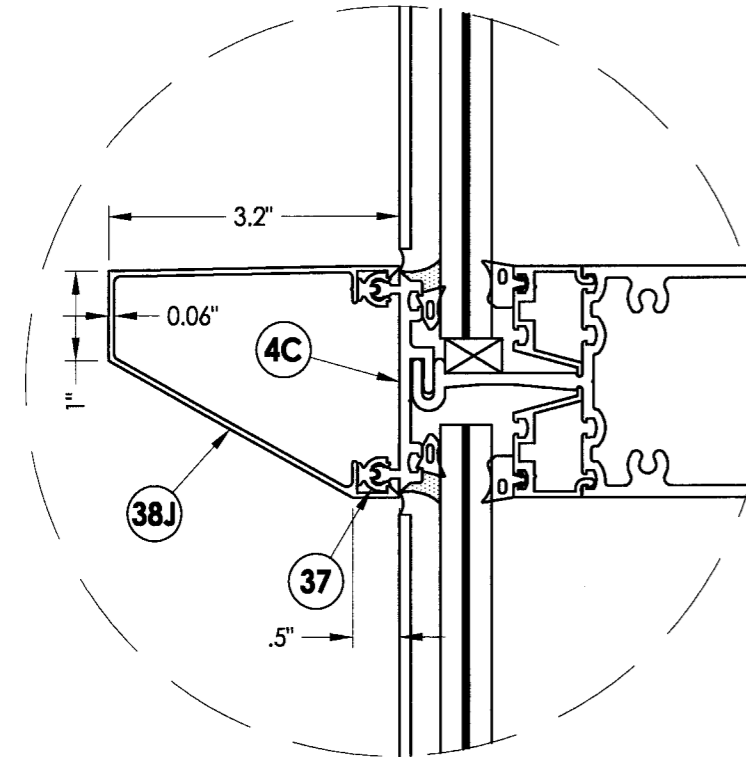
R:\A - Projects\Project Folders\proj\_1401-1500\PE\_1478\ID - RWBC Drawings\WTG-500\S-4086\S-4086.dwg, 2-10



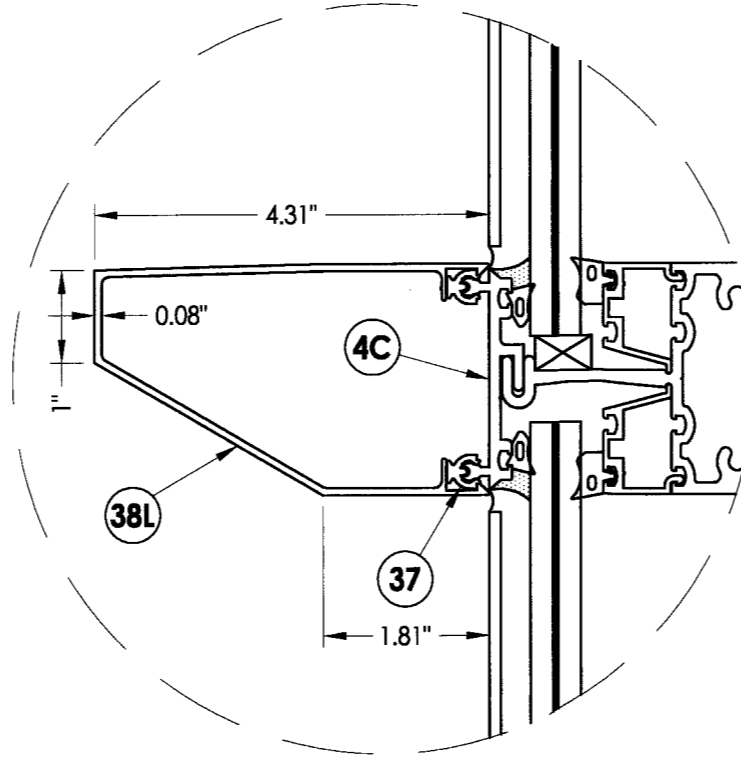
TYPICAL FACE COVER



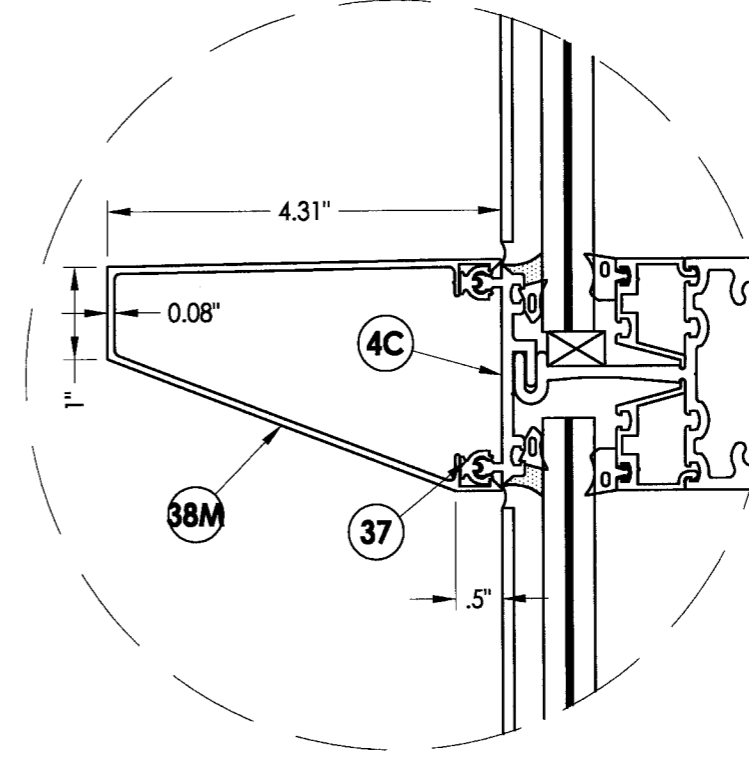
NOTCHED HORIZONTAL FACE COVER



HALF DEEP HORIZONTAL FACE COVER



DEEP SLOPED HORIZONTAL FACE COVER



DEEP SLOPED HORIZONTAL FACE COVER OPTION 2

Approved as complying with the Florida Building Code  
 Date: 05-16-2010  
 NOA: 05-1602.06  
 Minimal Data Product Control  
 By: *Manuel Diaz*

Documents Prepared By:  
**RW** BUILDING CONSULTANTS, INC.  
 P.O. Box 230 Valrico FL 33595  
 Phone No.: 813.659.9197

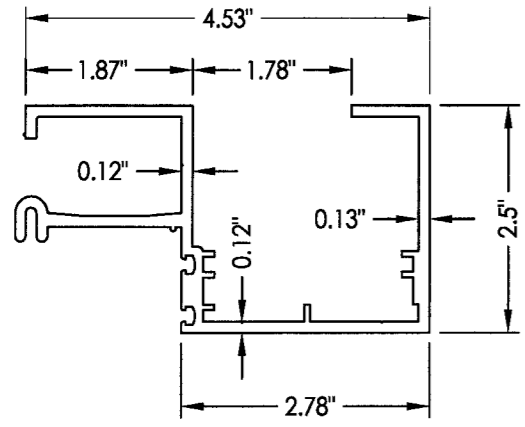
Florida Board of Professional Engineers  
 Certificate of Authorization No. 9813  
*Ryan J. King* 7-28-10  
 Ryan J. King, P.E. No. 64619

PRODUCT:  
 WEST TAMPA GLASS  
 SERIES WTG-500

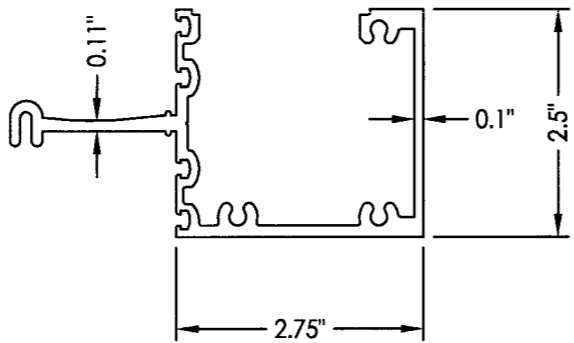
PART OR ASSEMBLY:  
 FACE COVER OPTION DETAILS

| NO. | DATE    | REVISIONS                 | BY |
|-----|---------|---------------------------|----|
| 1   | 4/22/10 | REVISED PER DADE COMMENTS | JK |

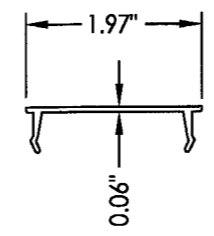
DATE: 7/08/09  
 SCALE: N.T.S.  
 DWG. BY: DWS  
 CHK. BY: LFS  
 DRAWING NO.: S-4086  
 SHEET 10 of 13



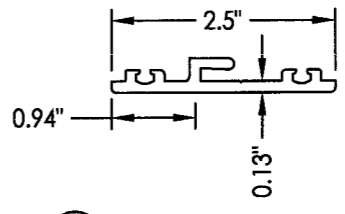
1 JAMB



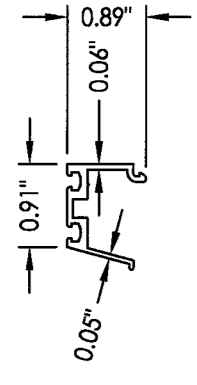
2 HEAD & SILL



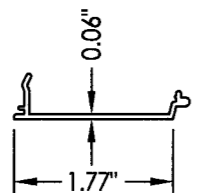
3 HEAD, SILL & INTERMEDIATE SNAP COVER



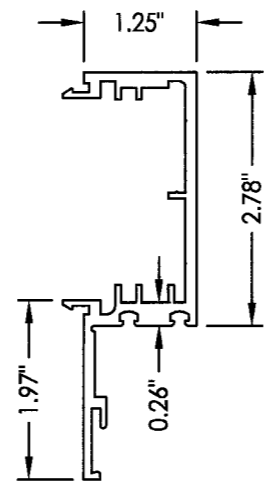
4 GLASS RETAINER  
Head, sill & horizontal



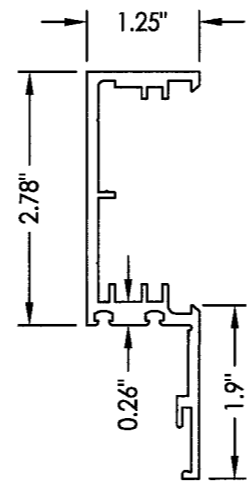
5 GLAZING ADAPTOR



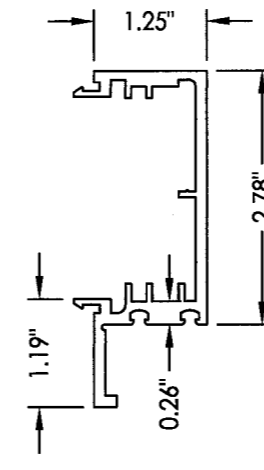
6 HEAD & SILL POCKET FILLER



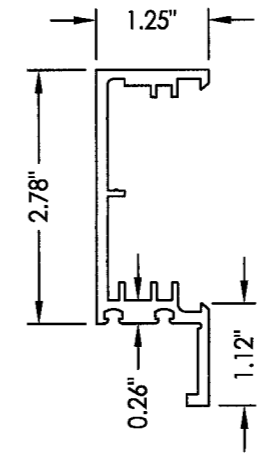
12 MULLION MALE



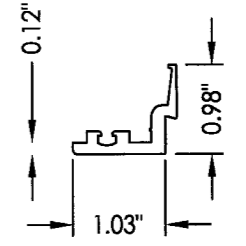
13 MULLION FEMALE



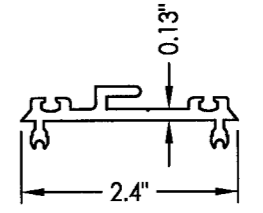
12A MULLION MALE



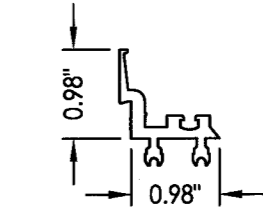
13A MULLION FEMALE



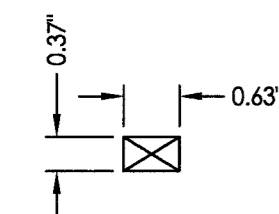
4A GLASS RETAINER



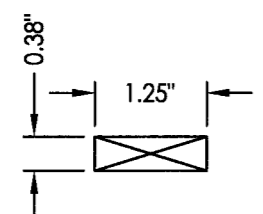
4B GLASS RETAINER



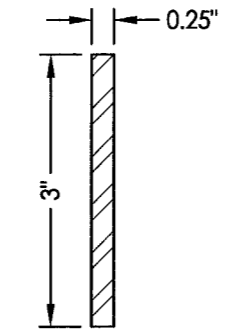
4C GLASS RETAINER



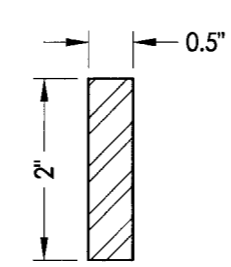
35 SETTING BLOCK



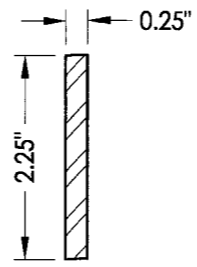
36 SETTING BLOCK



35 REINFORCEMENT



36D REINFORCEMENT



36C REINFORCEMENT



37 PLASTIC CLIP



23 SPACER GASKET  
Interior



22 PRE-SET GASKET  
Interior



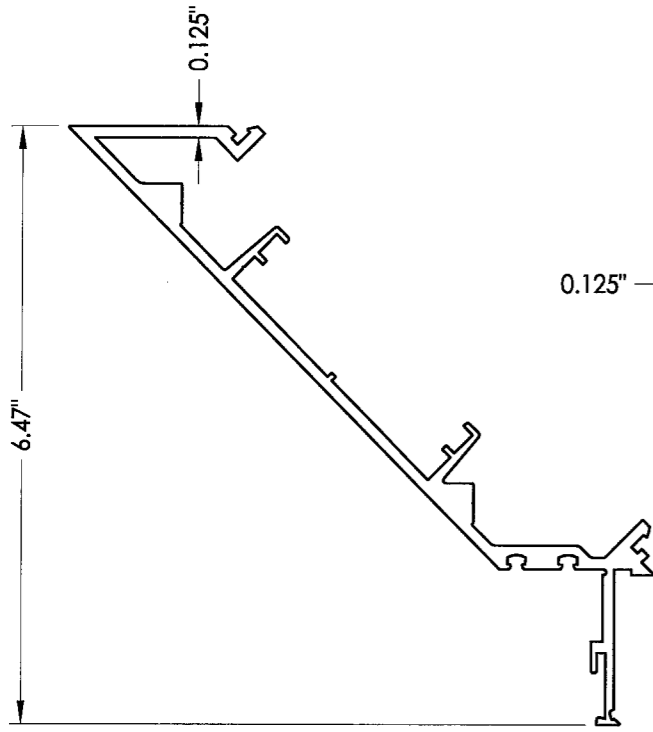
24 WEDGE GASKET  
Exterior

Approved as complying with the Florida Building Code  
Date: 07-16-2010  
NOA# 09-1202-06  
Miscel Code Product Control  
Division  
By: Manuel Perez

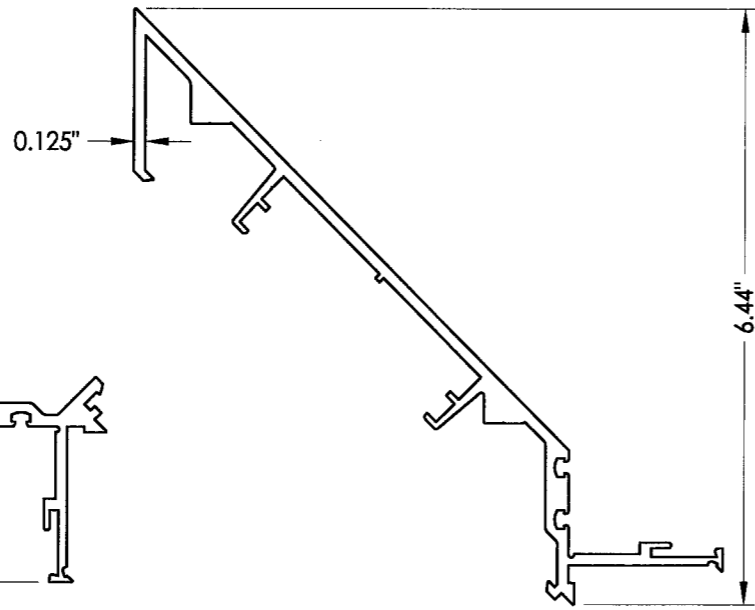
|              |          |
|--------------|----------|
| DATE:        | 7/08/09  |
| SCALE:       | N.T.S.   |
| DWG. BY:     | DWS      |
| CHK. BY:     | LFS      |
| DRAWING NO.: | S-4086   |
| SHEET        | 11 of 13 |

|                   |                                    |             |      |          |
|-------------------|------------------------------------|-------------|------|----------|
| PRODUCT:          | WEST TAMPA GLASS<br>SERIES WTC-500 |             |      |          |
| PART OR ASSEMBLY: | COMPONENTS                         |             |      |          |
| NO.               | DATE                               | REVISED PER | DATE | COMMENTS |
| 1                 | 4/22/10                            |             |      |          |
| JK                |                                    |             |      |          |
| BY                |                                    |             |      |          |

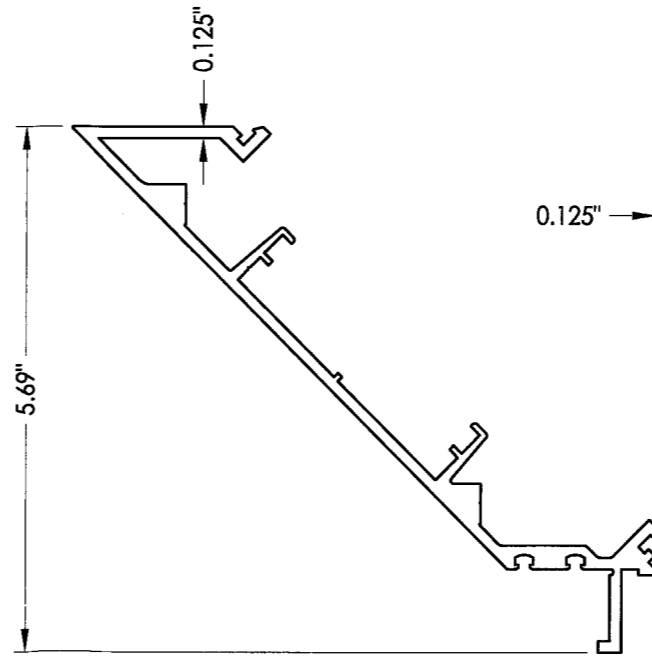
Documents Prepared By:  
**RW** BUILDING CONSULTANTS, INC.  
P.O. Box 230 Valrico FL 33595  
Phone No.: 813.659.9197  
Florida Board of Professional Engineers  
Certificate of Authorization No. 9813  
Manuel Perez 7-28-10  
Ryan J. King, P.E. No. 64619



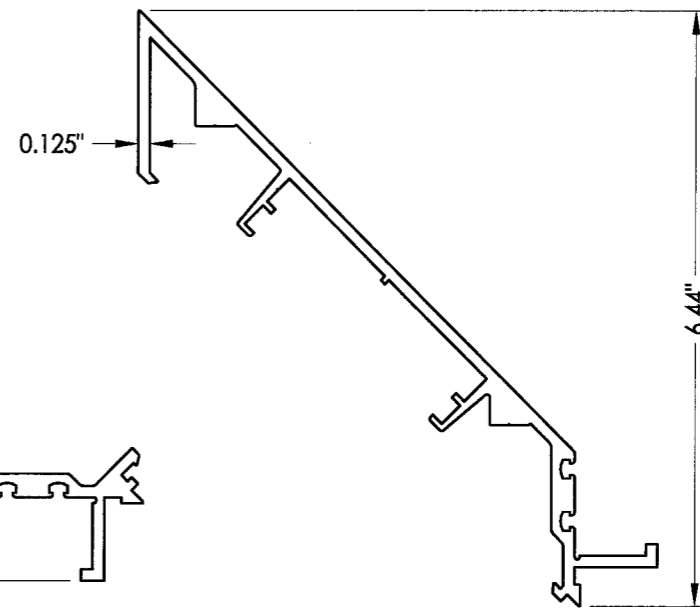
8 MALE CORNER



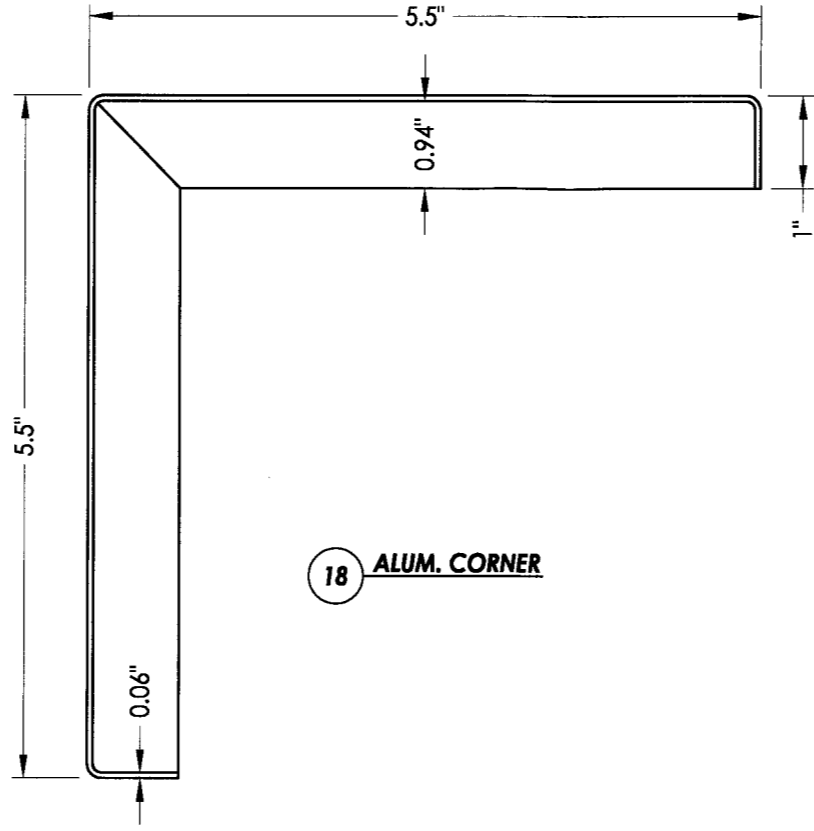
9 FEMALE CORNER



8A MALE CORNER



9A FEMALE CORNER



18 ALUM. CORNER

Approved as complying with the Florida Building Code  
 Date: 08/19/2010  
 NO. 09-1202.06  
 Miami-Dade Product Control Division  
 By: *Mauro Torres*

|                        |                                    |   |           |
|------------------------|------------------------------------|---|-----------|
| DATE: 7/08/09          |                                    | REVISIONS   |           |
| SCALE: N.T.S.          |                                    |   |           |
| DWG. BY: DWS           |                                    |   |           |
| CHK. BY: LFS           |                                    |   |           |
| DRAWING NO.: S-4086    |                                    |   |           |
| SHEET 12 OF 13         |                                    |   |           |
| PRODUCT:               | WEST TAMPA GLASS<br>SERIES WTG-500 | PART OR ASSEMBLY:   |           |
| PART OR ASSEMBLY:      |                                    | COMPONENTS  |           |
| NO.                    |                                    | DATE  | REVISIONS |
| 1                      | 4/22/10                            | REVISOR   | COMMENTS  |
|                        |                                    | JK  |           |
|                        |                                    | BY  |           |
| Documents Prepared By: |                                    | R.W. BUILDING CONSULTANTS, INC.<br>P.O. Box 230 Vairico, FL 33595<br>Phone No.: 813.659.9197<br>Florida Board of Professional Engineers<br>Certificate Of Authorization No. 9813<br><i>Ryan J. King</i> 7-28-10<br>Ryan J. King, P.E. No. 54619 |           |

| BILL OF MATERIALS |   |                 | BILL OF MATERIALS |             |               |
|-------------------|---|-----------------|-------------------|-------------|---------------|
| ITEM              | DESCRIPTION   | MATERIAL        | ITEM              | DESCRIPTION |               |
| C                 | MAX. 1/4" SHIM SPACE  | -               | 38D               | FACE COVER  | 6063-T5 ALUM. |
| 1                 | JAMB (#506)   | 6063-T5 ALUM.   | 38E               | FACE COVER  | 6063-T5 ALUM. |
| 2                 | HEAD & SILL (#501)  | 6063-T5 ALUM.   | 38F               | FACE COVER  | 6063-T5 ALUM. |
| 3                 | HEAD & SILL & INTERMEDIATE COVER (#507)                     | 6063-T5 ALUM.   | 38G               | FACE COVER  | 6063-T5 ALUM. |
| 4                 | GLASS RETAINER (#709)                                       | 6063-T5 ALUM.   | 38H               | FACE COVER  | 6063-T5 ALUM. |
| 4A                | GLASS RETAINER (#703)                                       | 6063-T5 ALUM.   | 38I               | FACE COVER  | 6063-T5 ALUM. |
| 4B                | GLASS RETAINER (#703A)                                      | 6063-T5 ALUM.   | 38J               | FACE COVER  | 6063-T5 ALUM. |
| 4C                | GLASS RETAINER (#709A)                                      | 6063-T5 ALUM.   |                   |             |               |
| 5                 | GLAZING ADAPTOR (#702)                                      | 6063-T5 ALUM.   |                   |             |               |
| 8                 | MALE CORNER (#714)  | 6061-T6 ALUM.   |                   |             |               |
| 8A                | MALE CORNER (#714A)   | 6061-T6 ALUM.   |                   |             |               |
| 9                 | FEMALE CORNER (#715)  | 6061-T6 ALUM.   |                   |             |               |
| 9A                | FEMALE CORNER (#715A)                                       | 6061-T6 ALUM.   |                   |             |               |
| 10                | ALUMINUM ANGLE CLOSER (1-1/2" X 1-1/2")                     | 6063-T5 ALUM.   |                   |             |               |
| 11                | ANCHOR (SEE ANCHOR SCHEDULE)                                | STEEL           |                   |             |               |
| 12                | FEMALE MULLION (#505)                                       | 6061-T6 ALUM.   |                   |             |               |
| 12A               | FEMALE MULLION (#505A)                                      | 6061-T6 ALUM.   |                   |             |               |
| 13                | MALE MULLION (#504)   | 6061-T6 ALUM.   |                   |             |               |
| 13A               | MALE MULLION (#504A)  | 6061-T6 ALUM.   |                   |             |               |
| 15                | HEAD & SILL POCKET FILLER (#711)                            | 6063-T5 ALUM.   |                   |             |               |
| 16                | ASSEMBLY SCREW #8-18 X 1" PH SMS                            | STEEL           |                   |             |               |
| 16A               | ASSEMBLY SCREW #12-18 X 1-1/2" PH SMS                       | STEEL           |                   |             |               |
| 17                | ALUM. CLOSER .060 ALUM. BREAKMETAL                          | ALUMINUM        |                   |             |               |
| 18                | ALUM. CORNER .060 ALUM. BREAKMETAL                          | 6063-T5 ALUM.   |                   |             |               |
| 22                | SPACER GASKET INTERIOR (GK004) TREMCO SCR-900 70 DUROMETER  | EPDM            |                   |             |               |
| 23                | SPACER GASKET INTERIOR (GK003) TREMCO SCR-900 70 DUROMETER  | EPDM            |                   |             |               |
| 24                | WEDGE GASKET EXTERIOR (GK005) TREMCO SCR-900 70 DUROMETER   | EPDM            |                   |             |               |
| 25                | SEALANT DOW 995 OR DOW 983                                  | SILICONE        |                   |             |               |
| 26                | SETTING BLOCK 5/8" X 3/8" X 4" FOR 1/4" OR 9/16" GLASS      | EPDM / SILICONE |                   |             |               |
| 26A               | SETTING BLOCK 1-1/4" X 3/8" X 4" FOR 1" OR 1-5/16" GLASS    | EPDM / SILICONE |                   |             |               |
| 26B               | CLOSER BLOCK 1-3/4" x 1" CLOSED CELL FOAM                   | FOAM            |                   |             |               |
| 30                | BACKER ROD CLOSED CELL EXTRUDED FOAM                        | FOAM            |                   |             |               |
| 31                | SEALANT DOW 983 OR DOW 795                                  | SILICONE        |                   |             |               |
| 31A               | SEALANT DOW 795   | SILICONE        |                   |             |               |
| 33                | GLAZING SPACER AT INSULATED GLASS                           | ALUM. OR S.S.   |                   |             |               |
| 35                | 1/4" X 3" ST. HOT ROLLED FLAT BAR PRIMER FINISH (ASTM A588) | STEEL           |                   |             |               |
| 36C               | 1/4" x 2-1/4" STEEL HOT ROLLED FLAT BAR (ASTM A588)         | STEEL           |                   |             |               |
| 36D               | 1/2" x 2" STEEL HOT ROLLED FLAT BAR (ASTM A588)             | STEEL           |                   |             |               |
| 37                | PLASTIC CLIPS   | PLASTIC         |                   |             |               |
| 38A               | FACE COVER  | 6063-T5 ALUM.   |                   |             |               |
| 38B               | FACE COVER  | 6063-T5 ALUM.   |                   |             |               |
| 38C               | FACE COVER  | 6063-T5 ALUM.   |                   |             |               |

Documents Prepared By:  
**RW** BUILDING CONSULTANTS, INC.  
 P.O. Box 230 Vairico FL. 33595  
 Phone No.: 813.659.9197  
 Florida Board of Professional Engineers  
 Certificate Of Authorization No. 9813  
*Ryan J. King* 7-28-10  
 Ryan J. King, P.E. No. 64619

PRODUCT: WEST TAMPA GLASS  
 SERIES WTC-500  
 PART OR ASSEMBLY:  
 BILL OF MATERIALS

| NO. | DATE    | REVISED PER | DATE | COMMENTS | JK | BY |
|-----|---------|-------------|------|----------|----|----|
| 1   | 4/22/10 |             |      |          |    |    |

DATE: 7/08/09  
 SCALE: N.T.S.  
 DWG. BY: DWS  
 CHK. BY: LFS  
 DRAWING NO.: S-4086  
 SHEET 13 OF 13

Approved as complying with the  
 Florida Building Code  
 Date OCT 6, 2010  
 NOA# 09-1202-06  
 Minimal Code Product Control  
 Origin  
 By *Manuel Perry*