



MIAMI-DADE COUNTY
BUILDING CODE COMPLIANCE OFFICE (BCCO)
PRODUCT CONTROL DIVISION

MIAMI-DADE COUNTY, FLORIDA
METRO-DADE FLAGLER BUILDING
140 WEST FLAGLER STREET, SUITE 1603
MIAMI, FLORIDA 33130-1563
(305) 375-2901 FAX (305) 372-6339

NOTICE OF ACCEPTANCE (NOA)

www.miamidade.gov/buildingcode

West Tampa Glass Company
2705 North 35th Street
Tampa, FL 33605

SCOPE:

This NOA is being issued under the applicable rules and regulations governing the use of construction materials. The documentation submitted has been reviewed by Miami-Dade County Product Control Division and accepted by the Board of Rules and Appeals (BORA) to be used in Miami Dade County and other areas where allowed by the Authority Having Jurisdiction (AHJ).

This NOA shall not be valid after the expiration date stated below. The Miami-Dade County Product Control Division (In Miami Dade County) and/or the AHJ (in areas other than Miami Dade County) reserve the right to have this product or material tested for quality assurance purposes. If this product or material fails to perform in the accepted manner, the manufacturer will incur the expense of such testing and the AHJ may immediately revoke, modify, or suspend the use of such product or material within their jurisdiction. BORA reserves the right to revoke this acceptance, if it is determined by Miami-Dade County Product Control Division that this product or material fails to meet the requirements of the applicable building code. This product is approved as described herein, and has been designed to comply with the Florida Building Code, including the High Velocity Hurricane Zone.

DESCRIPTION: Series "WTG-500" Aluminum Curtain Wall System – N.I.

APPROVAL DOCUMENT: Drawing No. S-4087, titled "West Tampa Glass – Series WTG-500 (Non-Impact)", sheets 1 through 11 of 11, dated 07/08/09 with revision #1 dated 04/22/10, prepared by RW Building Consultant, signed and sealed by Ryan J. King, P.E., bearing the Miami-Dade County Product Control Approval stamp with the Notice of Acceptance number and approval date by the Miami-Dade County Product Control Division.

MISSILE IMPACT RATING: None.

LABELING: Each unit shall bear a permanent label with the manufacturer's name or logo, city, state and following statement: "Miami-Dade County Product Control Approved", unless otherwise noted herein.

RENEWAL of this NOA shall be considered after a renewal application has been filed and there has been no change in the applicable building code negatively affecting the performance of this product.

TERMINATION of this NOA will occur after the expiration date or if there has been a revision or change in the materials, use, and/or manufacture of the product or process. Misuse of this NOA as an endorsement of any product, for sales, advertising or any other purposes shall automatically terminate this NOA. Failure to comply with any section of this NOA shall be cause for termination and removal of NOA.

ADVERTISEMENT: The NOA number preceded by the words Miami-Dade County, Florida, and followed by the expiration date may be displayed in advertising literature. If any portion of the NOA is displayed, then it shall be done in its entirety.

INSPECTION: A copy of this entire NOA shall be provided to the user by the manufacturer or its distributors and shall be available for inspection at the job site at the request of the Building Official.

This NOA consists of this page 1 and evidence pages E-1 and E-2, as well as approval document mentioned above.

The submitted documentation was reviewed by **Manuel Perez, P.E.**



NOA No. 09-1202.05
Expiration Date: October 06, 2015
Approval Date: October 06, 2010
Page 1

West Tampa Glass Company

NOTICE OF ACCEPTANCE: EVIDENCE SUBMITTED

A. DRAWINGS


1. Manufacturer's die drawings and sections.
2. Drawing No **S-4087**, Sheets 1 through 11 of 11, titled "West Tampa Glass - Series WTG-500 (Non-Impact)", dated 07/08/09 with revision #1 dated 04/22/10, prepared by RW Building Consultants, Inc., signed and sealed by Ryan J. King, P.E.

B. TESTS

1. Test reports on: 1) Air Infiltration Test, per FBC, TAS 202-94
2) Uniform Static Air Pressure Test, Loading per FBC TAS 202-94
3) Water Resistance Test, per FBC, TAS 202-94
4) Small Missile Impact Test per FBC, TAS 201-94
5) Large Missile Impact Test per FBC, TAS 201-94
6) Cyclic Wind Pressure Loading per FBC, TAS 203-94
along with marked-up drawings and installation diagram of WTG-500 and WTG-700 aluminum curtain wall systems, Series **WTG-500** specimens: #1, 2, 3, **4, 5**, and **6** and Series **WTG-700** specimens: 1, 3, 6, 7, 9, 11, 15, 17, 19, 21, 23, 23A, 25, 27, 32, **2, 4, 5, 8, 10, 12, 16, 18, 22, 24A, 26, 28, 33**, prepared by Testing Evaluation Laboratories, Inc. Test Report No. **TEL-08-01490001**, dated 01/02/08, signed and sealed by Wendell W. Haney, P.E.
2. Test reports on: 1) Air Infiltration Test, per FBC, TAS 202-94
2) Uniform Static Air Pressure Test, Loading per FBC TAS 202-94
3) Water Resistance Test, per FBC, TAS 202-94
4) Small Missile Impact Test per FBC, TAS 201-94
5) Large Missile Impact Test per FBC, TAS 201-94
6) Cyclic Wind Pressure Loading per FBC, TAS 203-94
along with marked-up drawings and installation diagram of WTG-500 and WTG-700 aluminum curtain wall systems, Series **WTG-500** specimens: #40 and 42 and Series **WTG-700** specimens: #36, 37, 39, **36a, 37a, 38, 39a, 41 and 43**, prepared by Testing Evaluation Laboratories, Inc. Test Report No. **TEL-01490139**, dated 08/26/09, signed and sealed by Lyndon F. Schmidt, P.E.

C. CALCULATIONS

1. Anchor verification calculations and structural analysis, complying with FBC-2007, prepared by RW Building Consultants, Inc., dated 08/01/09, 05/16/10 and 07/28.10, signed and sealed by Ryan J. King, P.E.
Complies with ASTM E1300-04


Manuel Perez, P.E.
Product Control Examiner
NOA No. 09-1202.05
Expiration Date: October 06, 2015
Approval Date: October 06, 2010

West Tampa Glass Company

NOTICE OF ACCEPTANCE: EVIDENCE SUBMITTED

D. QUALITY ASSURANCE

1. Miami Dade Building Code Compliance Office (BCCO).

E. MATERIAL CERTIFICATIONS

1. None.

F. STATEMENTS

1. Statement letter of conformance and no financial interest, dated May 10, 2010, signed and sealed by Ryan J. King, P.E.

G. OTHERS

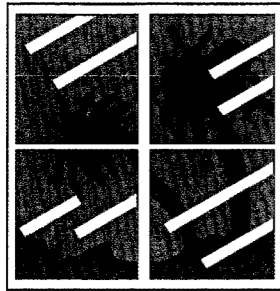
1. None.


Manuel Perez, P.E.
Product Control Examiner

NOA No. 09-1202.05

Expiration Date: October 06, 2015

Approval Date: October 06, 2010

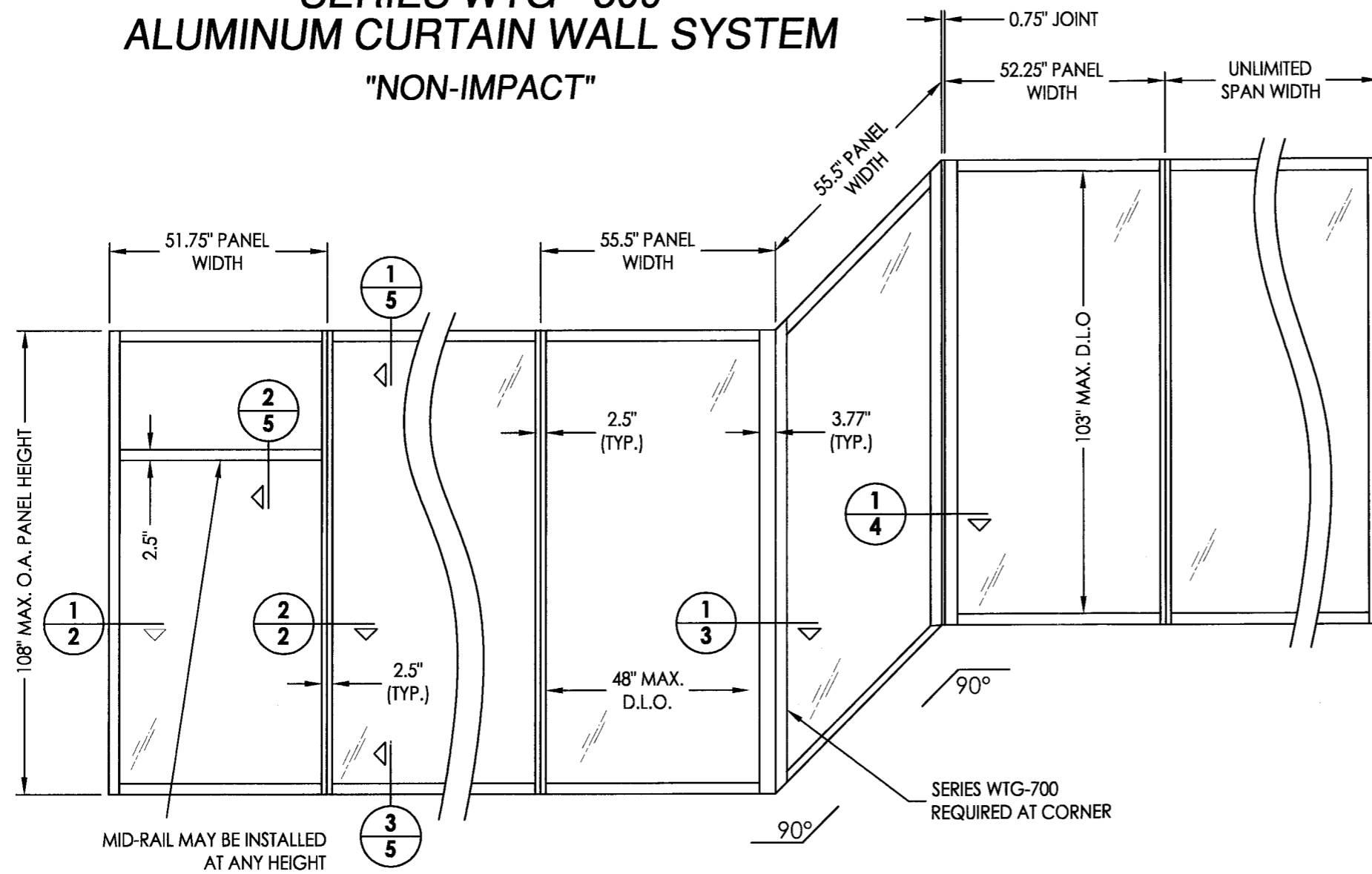


WEST TAMPA GLASS COMPANY

SINCE 1934

2705 N. 35th STREET
TAMPA, FLORIDA 33605

SERIES WTG - 500 ALUMINUM CURTAIN WALL SYSTEM "NON-IMPACT"



GENERAL NOTES

1. This product has been evaluated and is in compliance with the 2007 Florida Building Code (FBC) structural requirements excluding the "High Velocity Hurricane Zone" (HVHZ).
2. Product anchors shall be as listed and spaced as shown on details.
3. When used in areas requiring wind borne debris protection this product is required to be protected with an impact resistant covering that complies with Section 1609.1.2 of the 2007 FBC.
4. Site conditions and system reinforcement that deviate from the details of this drawing require further engineering analysis by a licensed engineer or registered architect.
5. For design pressure rating see chart sheet 1.
6. All steel in contact with aluminum to be painted or plated.
7. Elevation shown is for illustration only. Window wall may be constructed with an unlimited width and in any combination of units/glazing shown provided the limits for max. panel height, width and D.L.O. are maintained.

MAX. D.L.O. DIMENSION	GLASS TYPE	DESIGN PRESSURE (PSF)	
		POSITIVE	NEGATIVE
48.00" x 103.00"	G6	+75.0	-75.0

SHEET #	DESCRIPTION	SHEET #	DESCRIPTION
1	Typical elevation, design pressure & general notes	6	Frame anchoring
2	Horizontal cross sections	7	Face cover option details
3	Horizontal cross sections	8	Face cover option details
4	Horizontal cross sections	9	Components
5	Vertical cross sections	10	Components
		11	Bill of materials & glazing detail

Approved as complying with the Florida Building Code
Date: 04/22/10
NOA# 09-1702-05
Miscellaneous Product Control
By: *Michael...*

Documents Prepared By:

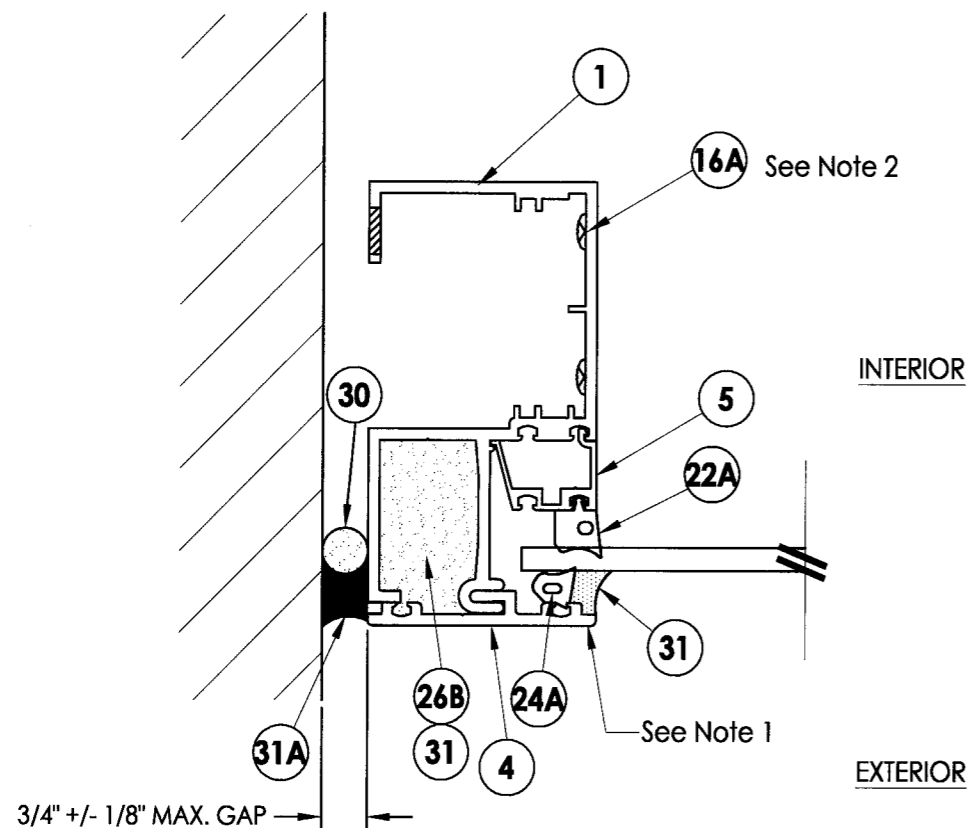
RW BUILDING CONSULTANTS, INC.
P.O. Box 230 Valrico FL 33595
Phone No.: 813.659.9197
Florida Board of Professional Engineers
Certificate Of Authorization No. 9813
Ryan J. King, P.E. No. 64619

PRODUCT: WEST TAMPA GLASS
SERIES WTG-500 (Non-Impact)

PART OR ASSEMBLY: TYPICAL ELEVATION AND DESIGN PRESSURE

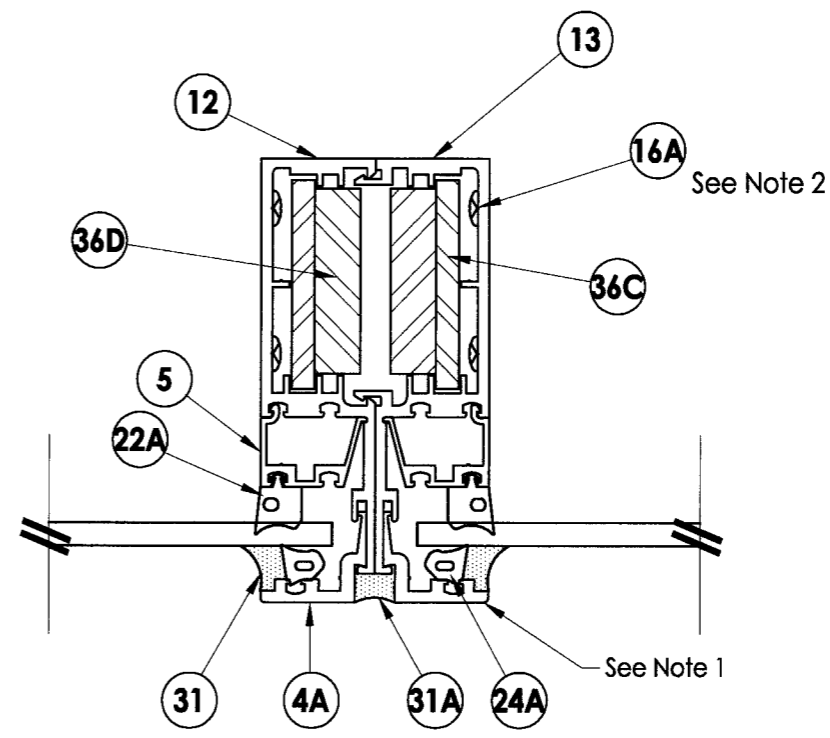
NO.	DATE	REVISIONS	BY
1	04/22/10	REVISED PER DADE COMMENTS	JK

DATE: 07/08/09
SCALE: N.T.S.
DWG. BY: DWS
CHK. BY: LFS
DRAWING NO.: S-4087
SHEET 1 OF 11



1 HORIZONTAL CROSS SECTION
2 Jamb Detail Dry Glazed

Total Ix (Aluminum) = 4.06 in.⁴



2 HORIZONTAL CROSS SECTION
2 Intermediate Vertical Mullion Detail Dry Glazed Option

Total Ix (Aluminum) = 7.43 in.⁴

- NOTES:
- See sheets 7 & 8 for face cover option details.
 - Attach the head, sill and intermediate horizontal to the jambs/mullions w/ (3) item 16A at each end. See corner connection detail on sheet 4.

Material Properties Chart			
MATERIAL	ITEM	Sx (in ³)	Ix (in ⁴)
Aluminum	1	1.628	4.067
	12	0.720	1.851
	13	0.685	1.735
Steel	36C	1.933	3.867
	36D	0.967	1.933

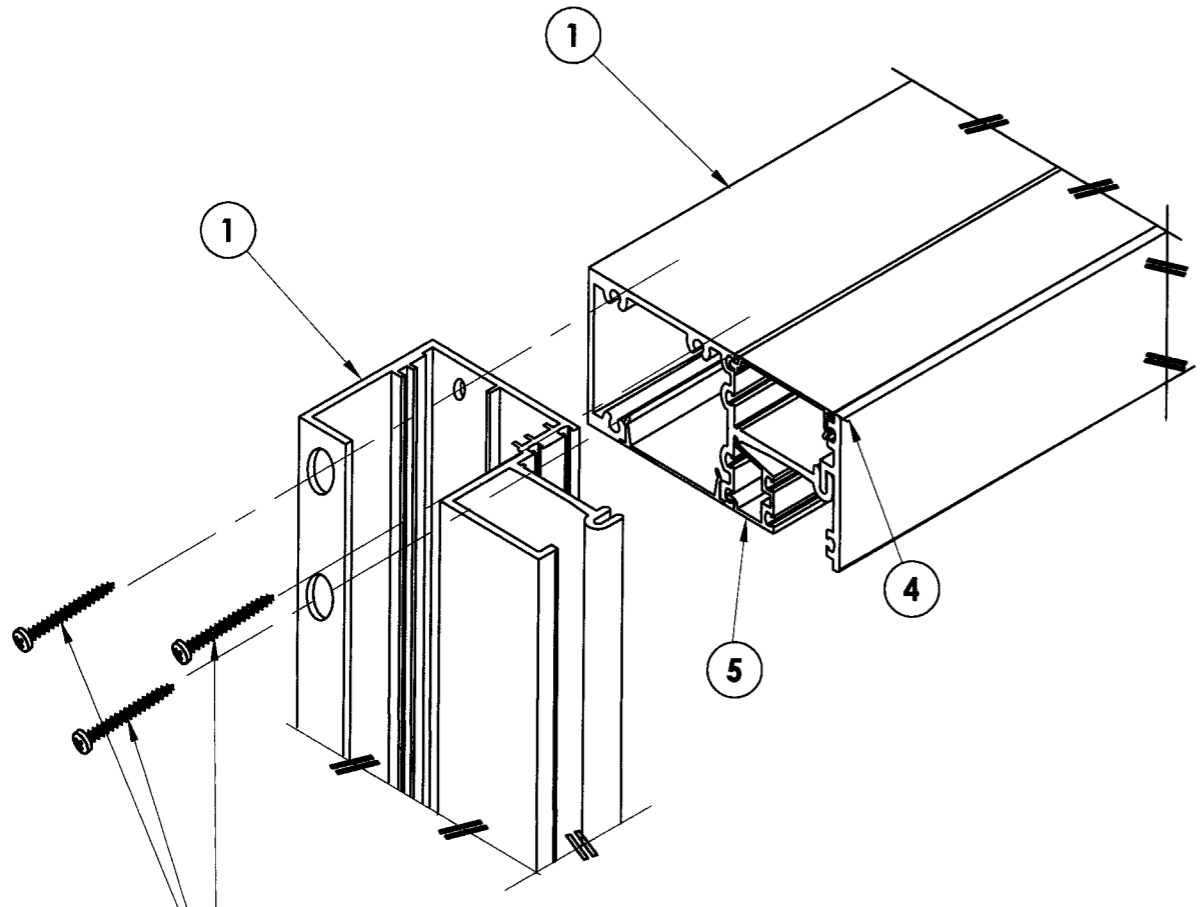
Approved as complying with the Florida Building Code
 Date OCT. 6, 2010
 NOA# 09-1262.05
 Miami Dade Product Control Division
 By: *[Signature]*

DATE: 07/08/09
 SCALE: N.T.S.
 DWG. BY: DWS
 CHK. BY: LFS
 DRAWING NO.: S-4087
 SHEET 2 OF 11

PRODUCT: WEST TAMPA GLASS
 SERIES WTG-500 (Non-Impact)
 PART OR ASSEMBLY: HORIZONTAL CROSS SECTIONS

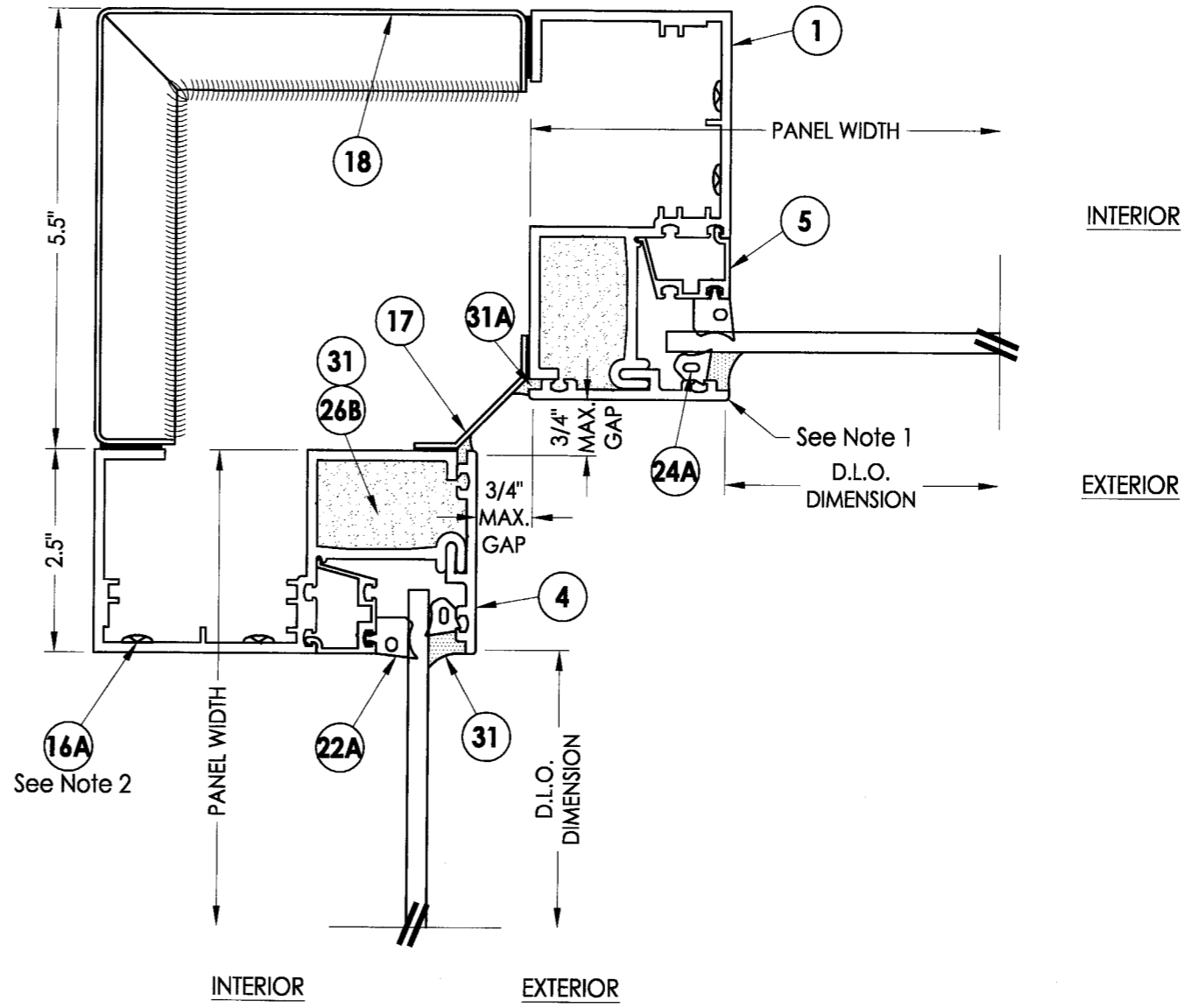
NO.	DATE	REVISED PER	DADE	COMMENTS	JK	BY
1	4/22/10					

Documents Prepared By:
R.W. BUILDING CONSULTANTS, INC.
 P.O. Box 230 Valrico FL, 33595
 Phone No.: 813.659.9197
 Florida Board of Professional Engineers
 Certificate Of Authorization No. 9813
[Signature]
 Ryan J. King, P.E. No. 64619



CORNER CONNECTION DETAIL
 Jamb to head connection shown
 Jamb/Mullion connection to head,
 sill and intermediate rail is similar.

16A
 3 required @ each
 connection.



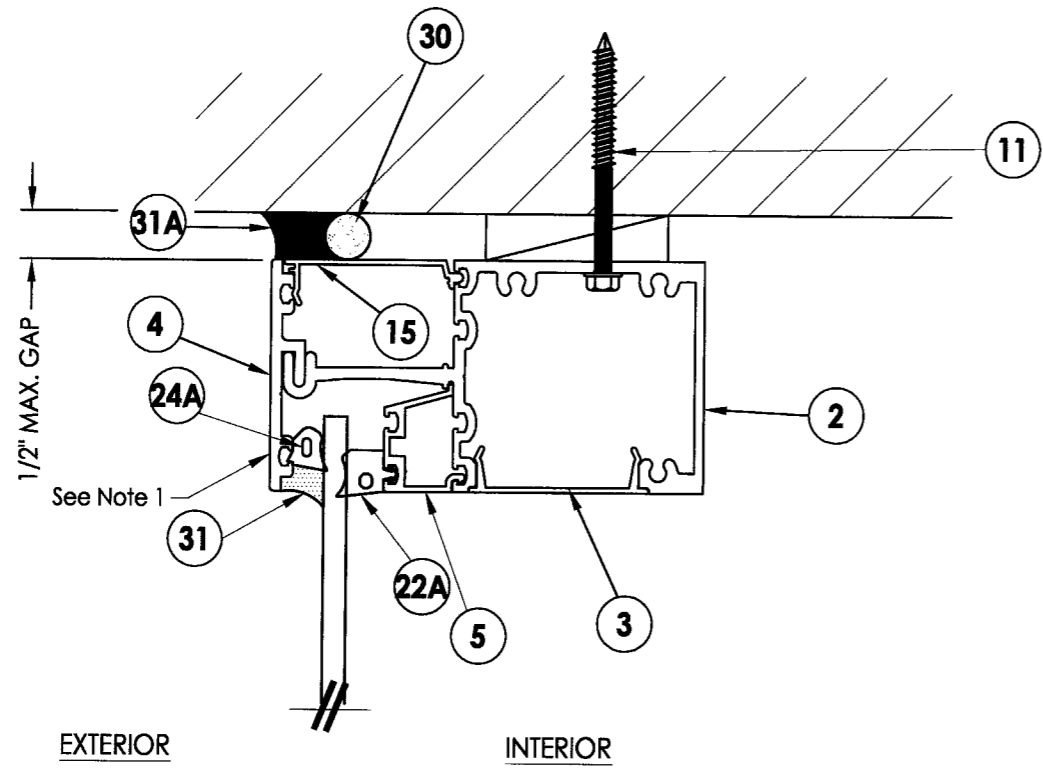
1 HORIZONTAL CROSS SECTION
4 Interior 90 deg. Corner Mullion Detail
 Dry Glazed

- NOTES:
1. See sheets 7 & 8 for face cover option details.
 2. Attach the head, sill and intermediate horizontal to the jambs/mullions w/ (3) item 16A at each end. See corner connection detail on this sheet.

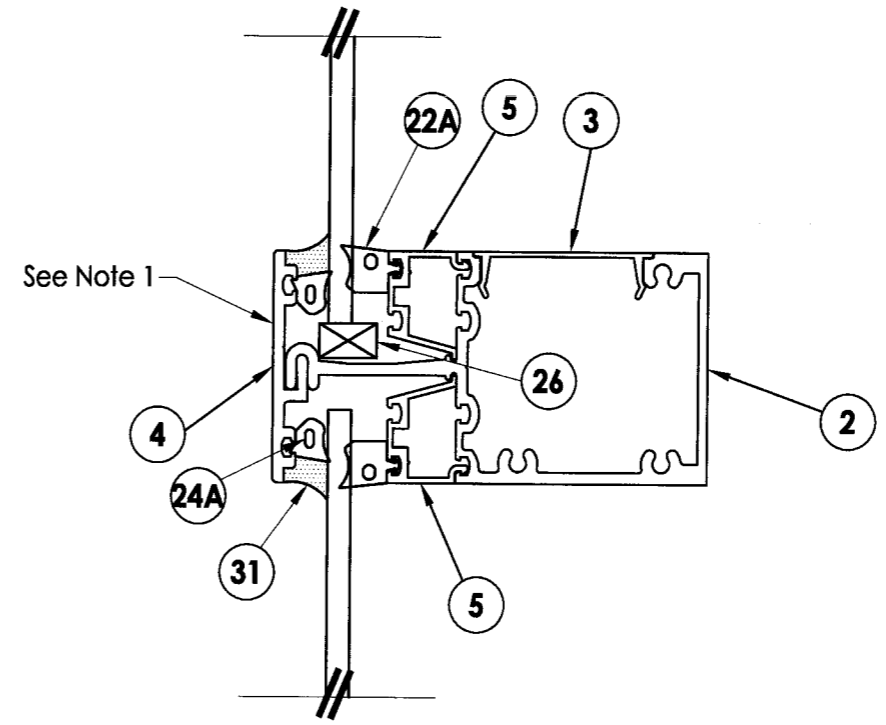
Approved as complying with the
 Florida Building Code
 Date Oct. 6, 2010
 NCAS 09-1202.05
 Miami Dade Product Control
 Division
 By Manuel Perez

DATE: 07/08/09
 SCALE: N.T.S.
 DWG. BY: DWS
 CHK. BY: LFS
 DRAWING NO.:
S-4087
 SHEET 4 OF 11

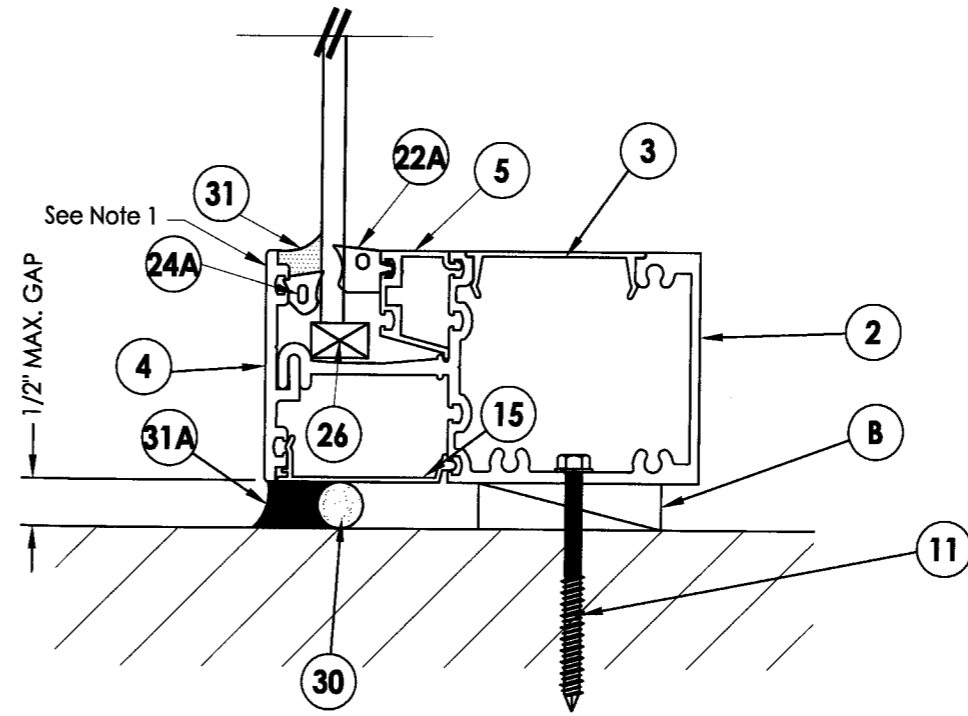
Documents Prepared By: RW BUILDING CONSULTANTS, INC. P.O. Box 230 Valrico FL 33595 Phone No.: 813.659.9197 Florida Board of Professional Engineers Certificate of Authorization No. 9813 Ryan J. King, P.E. No. 64619	
PRODUCT: WEST TAMPA GLASS SERIES WTG-500 (Non-Impact)	PART OR ASSEMBLY: HORIZONTAL CROSS SECTIONS
NO. DATE 1 4/22/10 REVISION PER DADE COMMENTS	JK BY REVISIONS



1 VERTICAL CROSS SECTION
5 Head Detail Dry Glazed



2 VERTICAL CROSS SECTION
5 Intermediate Horizontal Mullion Detail Dry Glazed



3 VERTICAL CROSS SECTION
5 Sill Detail Dry Glazed

NOTE:
1. See sheets 7 & 8 for face cover option details.

Approved as complying with the Florida Building Code
Date: **OCT. 9 2010**
NOA# **09-1202-DS**
Miscellaneous Product Detail
By: *Manuel*

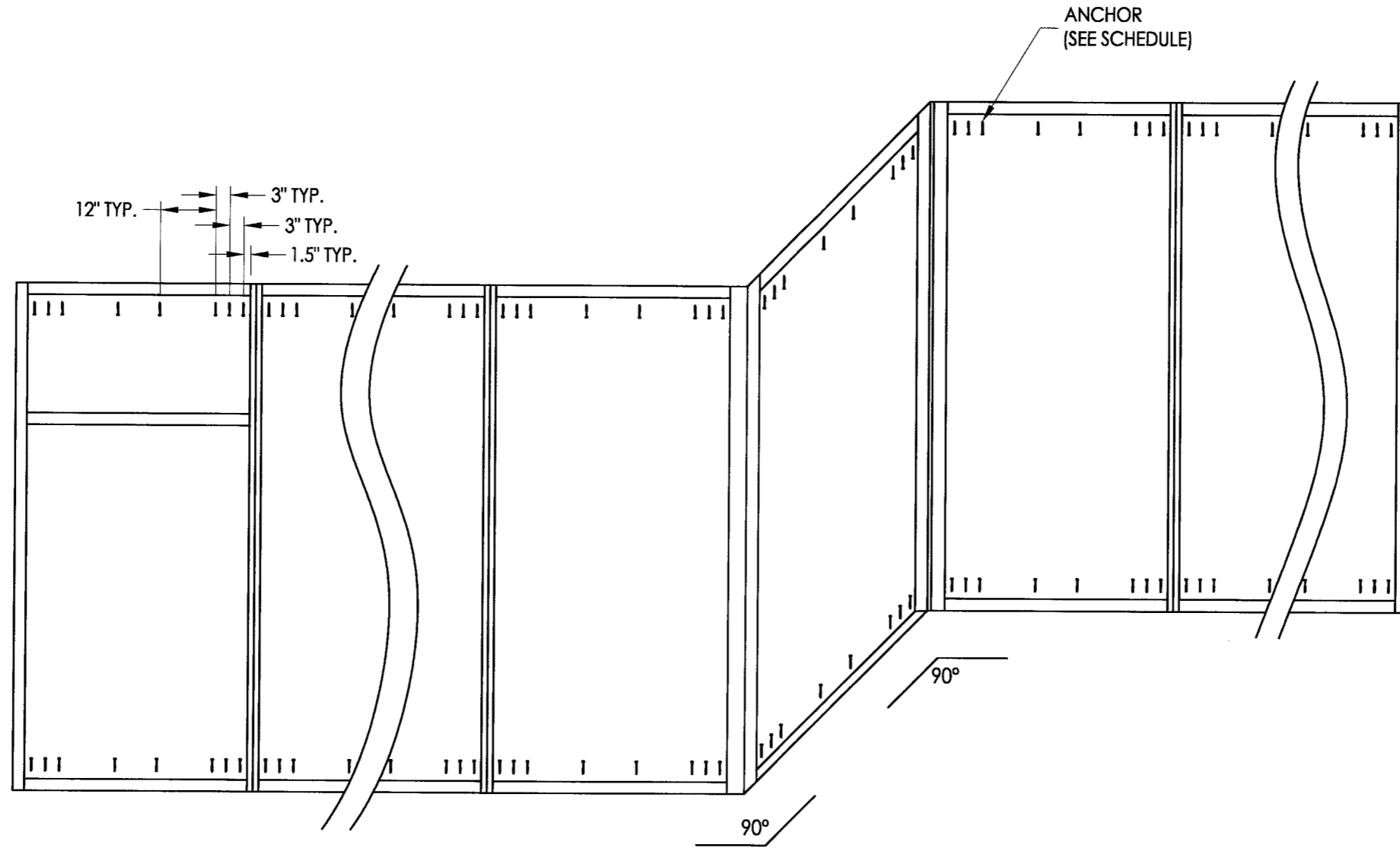
Documents Prepared By:

R.W. BUILDING CONSULTANTS, INC.
P.O. Box 230 Valrico FL 33595
Phone No.: 813.659.9197
Florida Board of Professional Engineers
Certificate of Authorization No. 9813
R.W. King 7-28-10
Ryan J. King, P.E. No. 64619


PRODUCT: WEST TAMPA GLASS
SERIES WTG-500 (Non-Impact)
PART OR ASSEMBLY: VERTICAL CROSS SECTIONS

NO.	DATE	REVISED PER DATE COMMENTS	JK	BY
1	4/22/10			

DATE: 07/08/09
SCALE: N.T.S.
DWG. BY: DWS
CHK. BY: LFS
DRAWING NO.: S-4087
SHEET 5 of 11



FRAME ANCHORING

ANCHOR SCHEDULE	
SUBSTRATE	ANCHOR
CONCRETE: 	5/16" DIA. X 2-3/4" ITW HWH TAPCON ANCHOR WITH 2.25" MIN. EMBEDMENT, 2-3/16" MIN EDGE DISTANCE & 3.0" MIN. CENTERLINE DISTANCE. CONCRETE CONFORMING TO ACI 301 (3,192 PSI MIN.)
STEEL: 	5/16-24 X 1-1/2" HWH #4 KWIK-FLEX SELF DRILLING SCREW (A MINIMUM OF 3 THREADS SHALL PROTRUDE THROUGH THE STEEL SUBSTRATE) STEEL CONFORMING TO ASTM A653, .125" MIN. WALL THICKNESS Fy = 33,000 PSI, Fu = 45,000 PSI

Approved as complying with the Florida Building Code
 Date: 08-19-2010
 NO. 08-1202-05
 Miami Basic Product Control
 Manual
 Ryan J. King

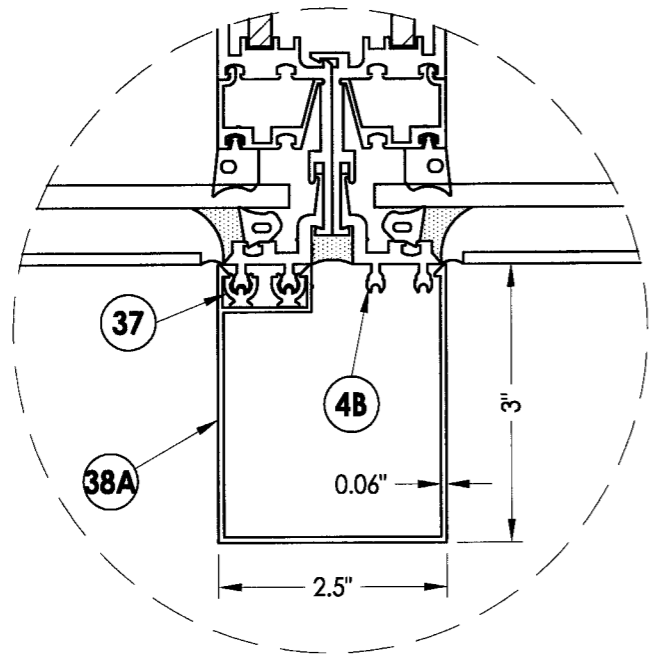
Documents Prepared By: **RW** BUILDING CONSULTANTS, INC.
 P.O. Box 230 Valrico FL, 33595
 Phone No.: 813.659.9197
 Florida Board of Professional Engineers
 Certificate of Authorization No. 9613
 Ryan J. King, P.E. No. 64619

PRODUCT: WEST TAMPA GLASS
 SERIES WTG-500 (Non-Impact)
 PART OR ASSEMBLY: FRAME ANCHORING

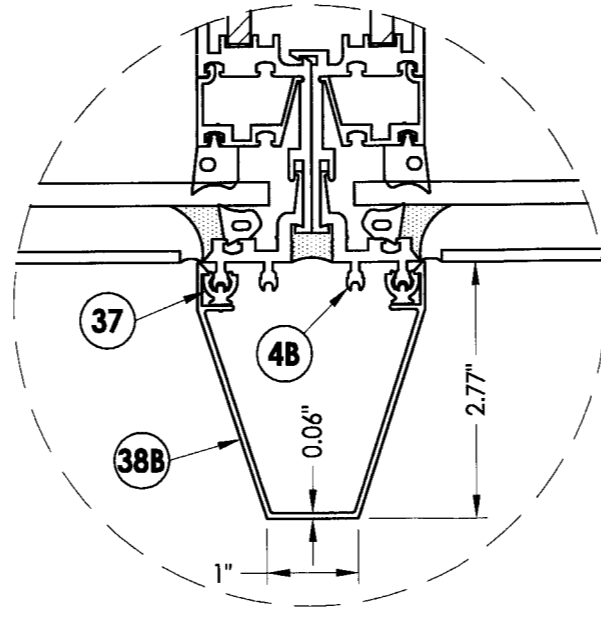
NO.	DATE	REVISED PER	DADE	COMMENTS	JK	BY
1	4/22/10					

REVISIONS

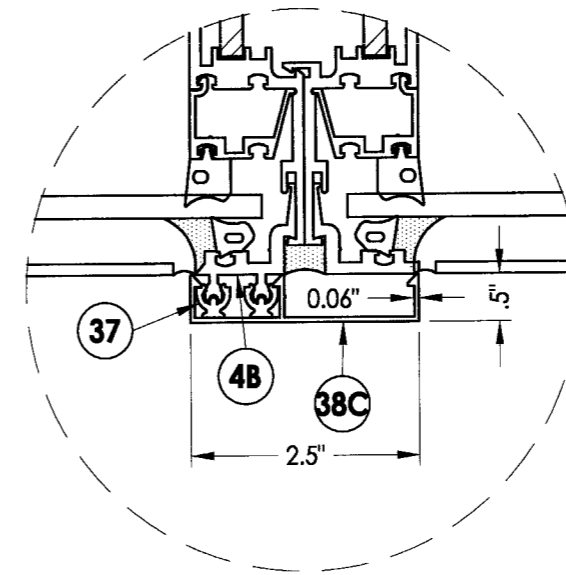
DATE: 7/08/09
 SCALE: N.T.S.
 DWG. BY: DWS
 CHK. BY: LFS
 DRAWING NO.: S-4087
 SHEET 6 OF 11



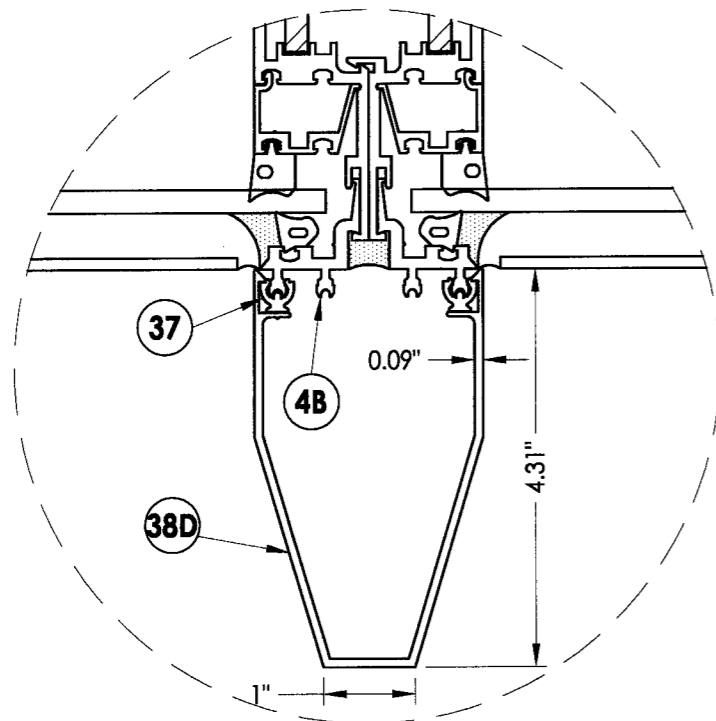
DEEP SQUARE VERTICAL FACE COVER



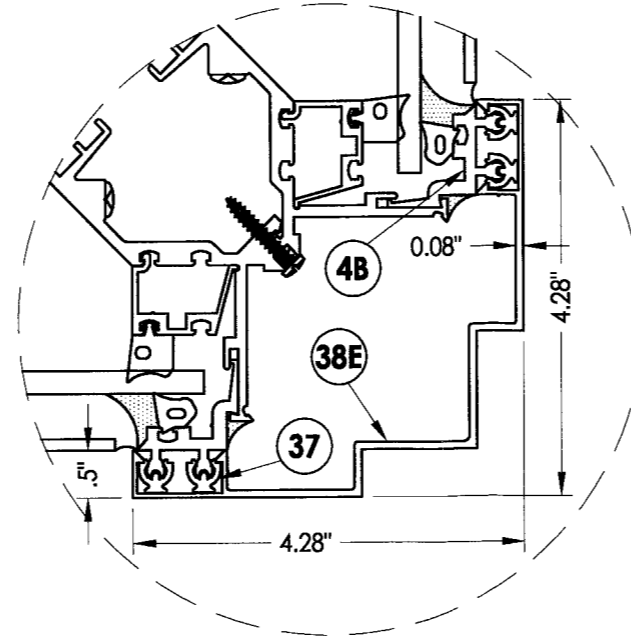
HALF DEEP VERTICAL FACE COVER



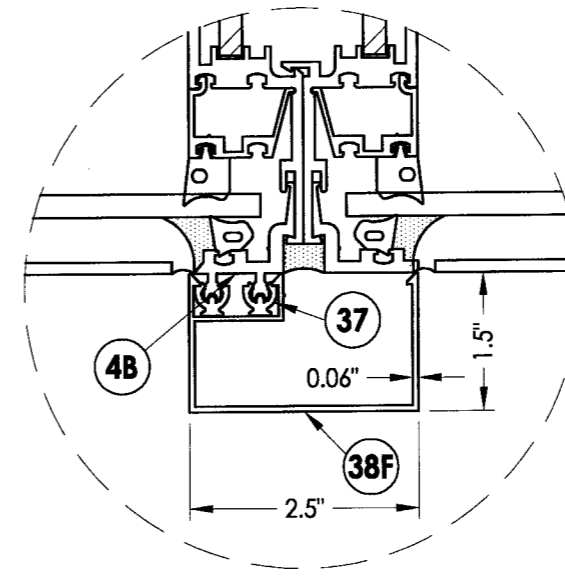
TYPICAL FACE COVER



DEEP VERTICAL FACE COVER



TYPICAL CORNER FACE COVER



HALF DEEP SQUARE VERTICAL FACE COVER

Approved as complying with the Florida Building Code
 Date: **OCT 09 2010**
 NCAP 09-1202.05
 Miami Code Product Control
 By: *Manuel Pires*

Documents Prepared By:

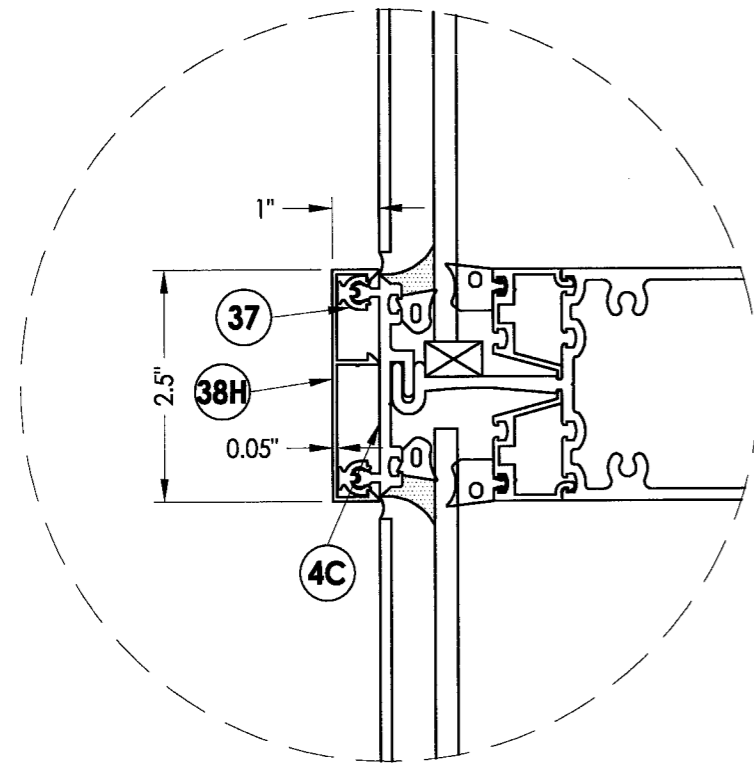
RW BUILDING CONSULTANTS, INC.
 P.O. Box 230 Valrico FL 33595
 Phone No.: 813.659.9197
 Florida Board of Professional Engineers
 Certificate/Of Authorization No. 9813
Manuel Pires 7-28-10
 Ryan J. King, P.E. No. 64619

PRODUCT: WEST TAMPA GLASS
 SERIES WTC-500 (Non-Impact)
 PART OR ASSEMBLY: FACE COVER OPTION DETAILS

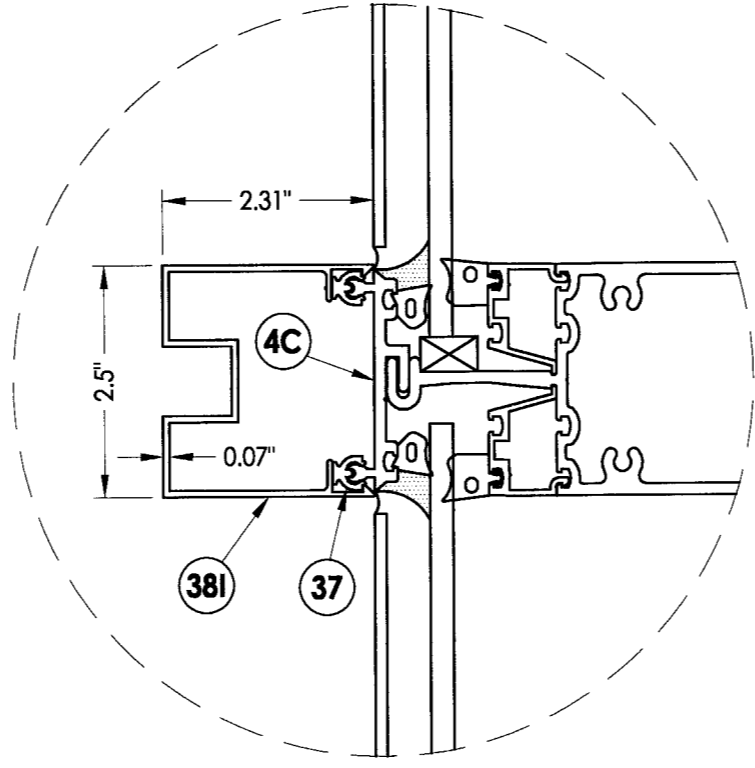
NO.	DATE	REVISED PER	COMMENTS	JK	BY
1	4/22/10	REVIS	PER DADE	JK	BY

DATE: 7/08/09
 SCALE: N.T.S.
 DWG. BY: DWS
 CHK. BY: LFS
 DRAWING NO.: S-4087
 SHEET 7 OF 11

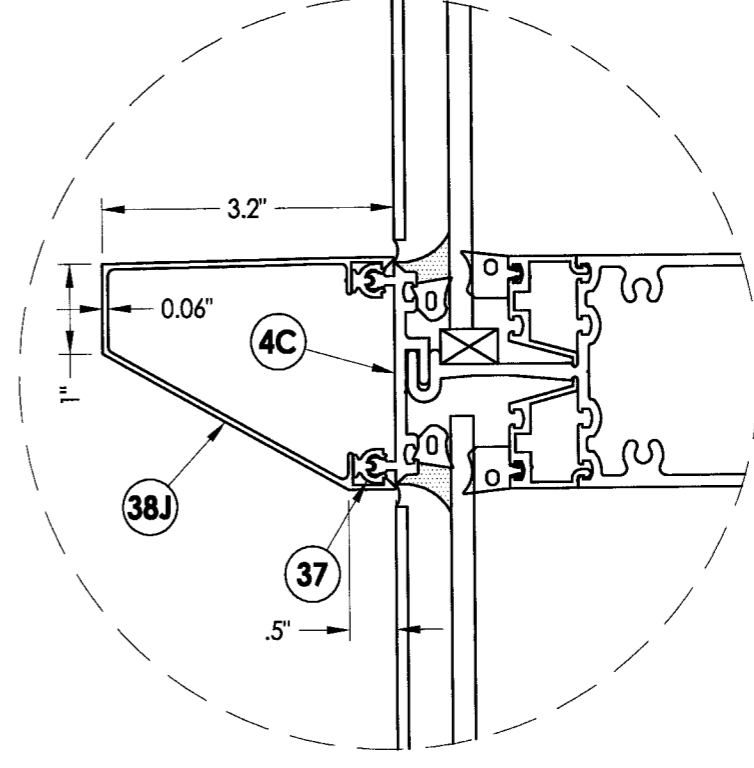
R:\A - Projects\Project Folders\proj_1401-1500\PF_1478\D. RWBC Drawings\WTG-500\S-4087\S-4087.dwg, 8



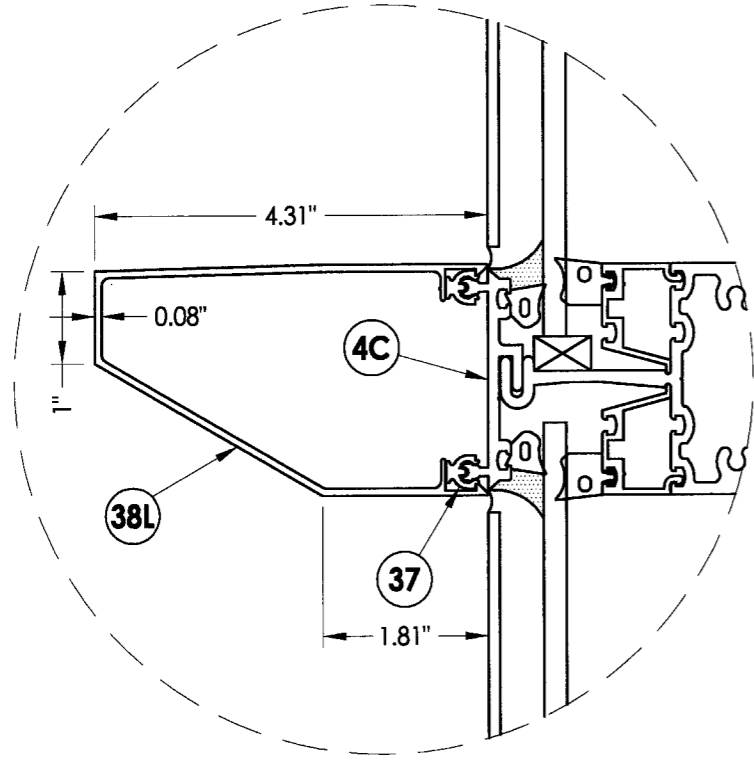
TYPICAL FACE COVER



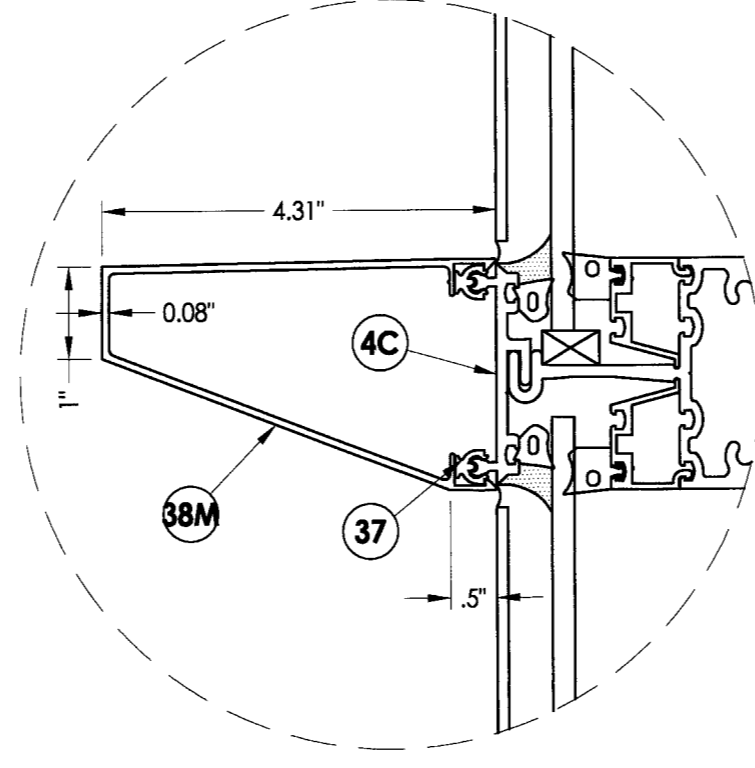
NOTCHED HORIZONTAL FACE COVER



HALF DEEP HORIZONTAL FACE COVER



DEEP SLOPED HORIZONTAL FACE COVER



DEEP SLOPED HORIZONTAL FACE COVER OPTION 2

Approved as complying with the Florida Building Code
 Date: *08/06/2010*
 NO. *09-1202.05*
 Miami Dade Product Control
 By: *Manuel Sora*

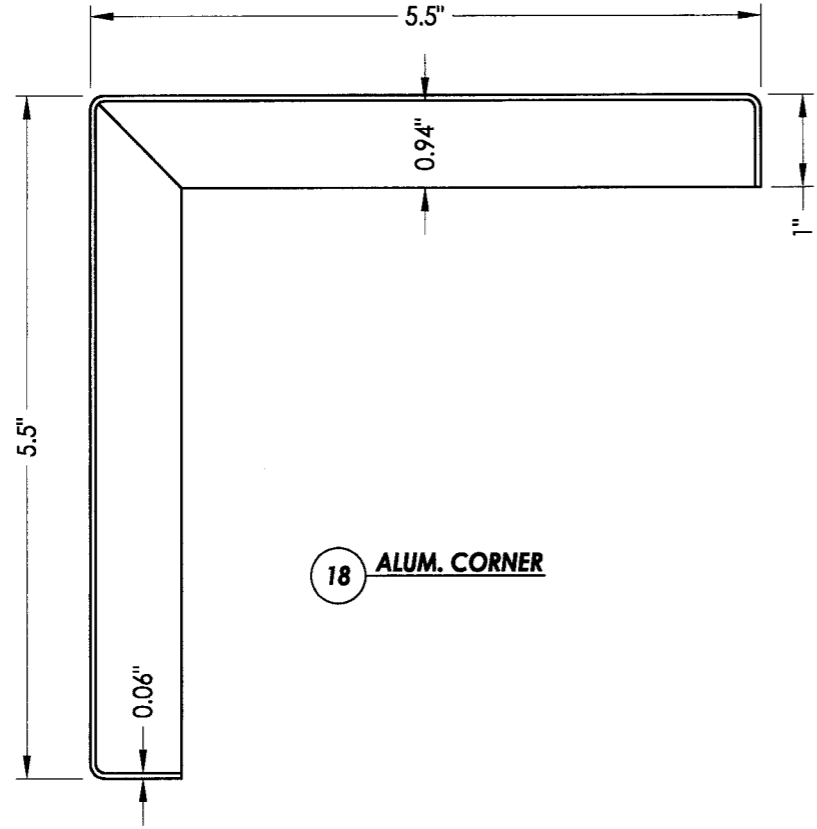
DATE: 7/08/09
 SCALE: N.T.S.
 DWG. BY: DWS
 CHK. BY: LFS
 DRAWING NO.: S-4087
 SHEET 8 OF 11

Documents Prepared By: **RW** BUILDING CONSULTANTS, INC.
 P.O. Box 230 Valrico FL 33595
 Phone No.: 813.659.9197
 Florida Board of Professional Engineers
 Certificate of Authorization No. 9813
Manuel Sora 7-28-10
 Ryan J. King, P.E. No. 64619

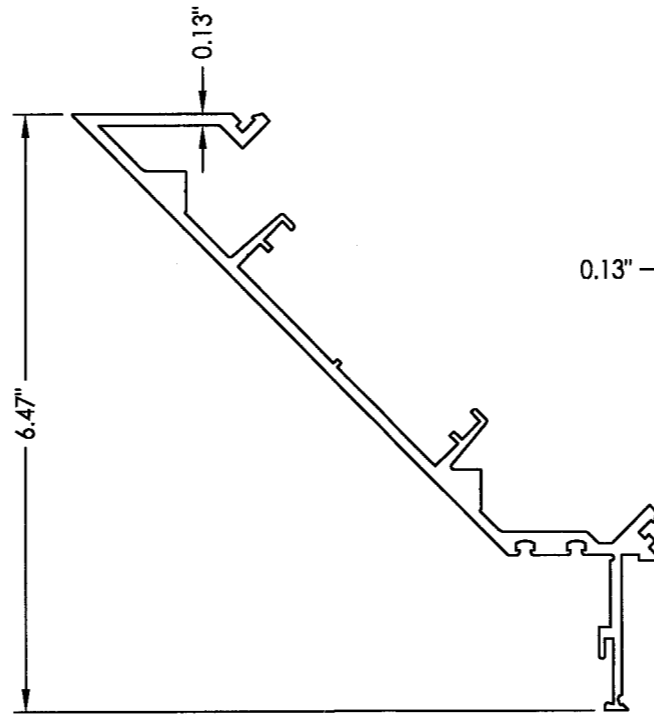
PRODUCT: WEST TAMPA GLASS
 SERIES WTG-500 (Non-Impact)
 PART OR ASSEMBLY: FACE COVER OPTION DETAILS

NO.	DATE	REVISED PER	DADE	COMMENTS	JK	BY
1	4/22/10					

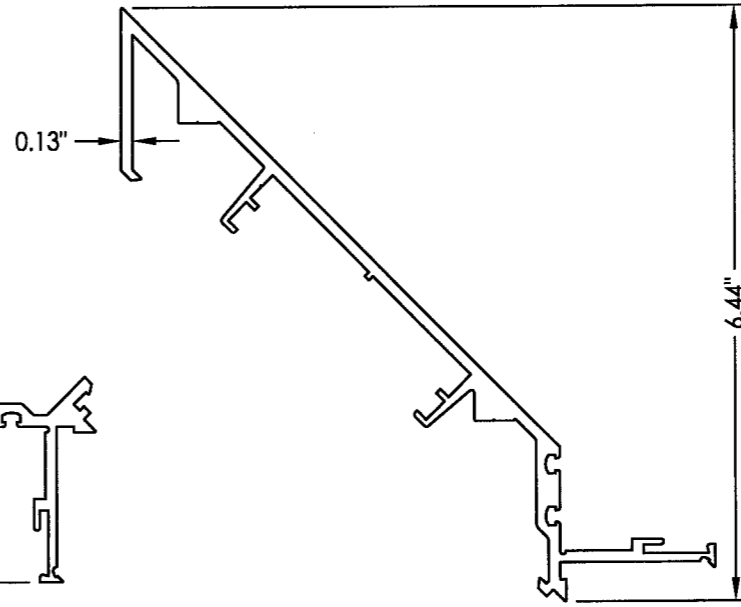
REVISIONS



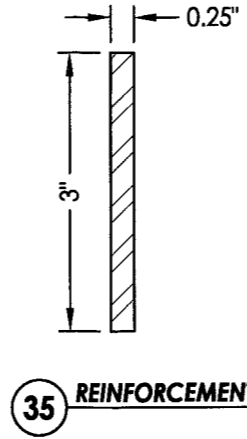
18 ALUM. CORNER



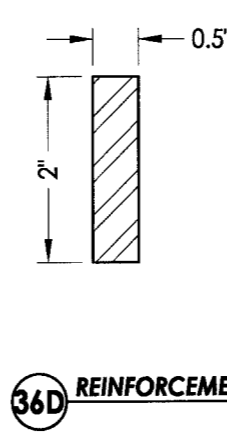
8 MALE CORNER



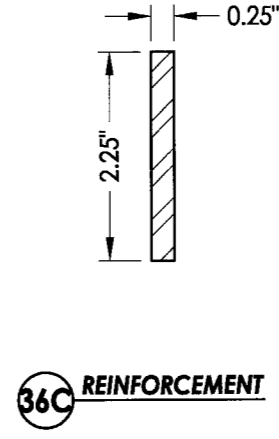
9 FEMALE CORNER



35 REINFORCEMENT



36D REINFORCEMENT



36C REINFORCEMENT

Approved as complying with the Florida Building Code
 Date: 08-09-2010
 NCAP: 09-1202-05
 Miami Dade Product Council
 By: Manuel Diaz

PRODUCT: WEST TAMPA GLASS
 SERIES: WTG-500 (Non-Impact)
 PART OR ASSEMBLY: COMPONENTS

NO.	DATE	REVISED PER DADE COMMENTS	JK	BY
1	4/22/10			

DATE: 7/08/09
 SCALE: N.T.S.
 DWG. BY: DWS
 CHK. BY: LFS
 DRAWING NO.: S-4087
 SHEET 10 OF 11

Documents Prepared By:

RW BUILDING CONSULTANTS, INC.
 P.O. Box 230 Valrico FL 33595
 Phone No.: 813.659.9197
 Florida Board of Professional Engineers
 Certificate Of Authorization No. 9813
 Ryan J. King, P.E. 7-28-10

